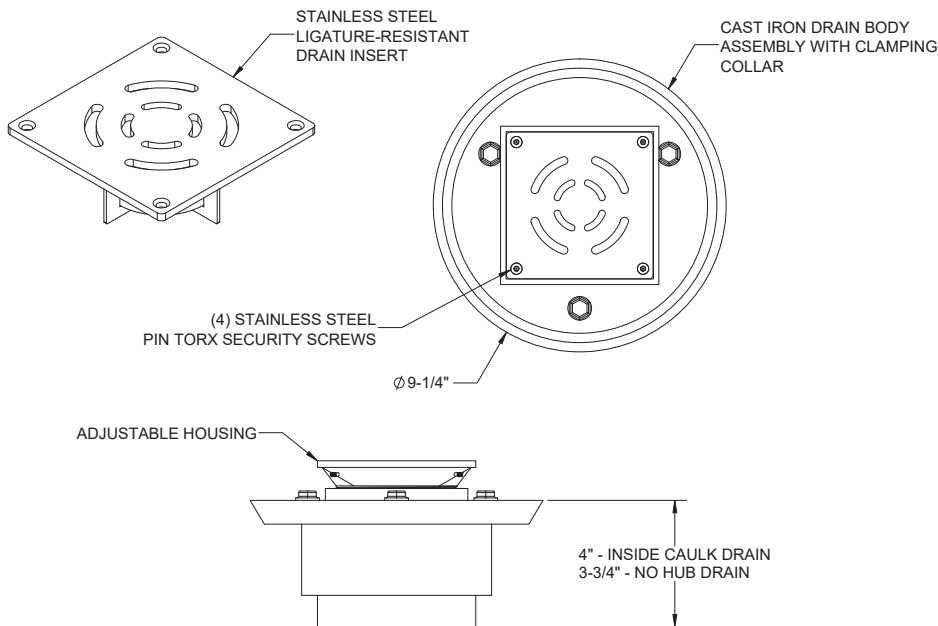
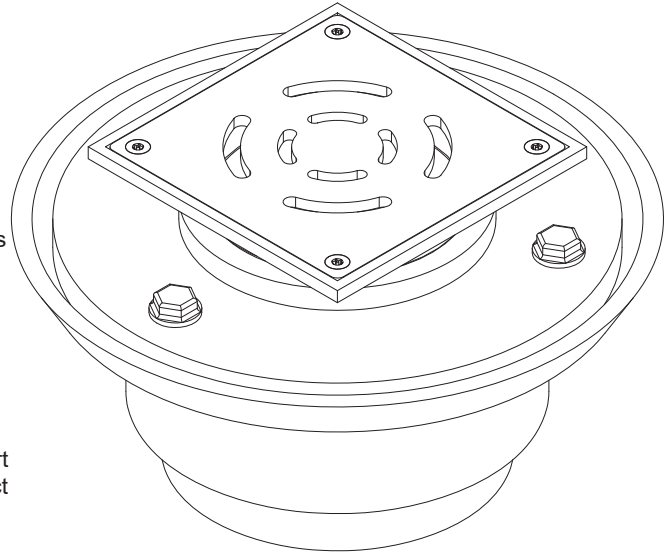


LRFD Series Ligature-Resistant Floor Drain - Square Strainer

Ligature-resistant floor drain with square strainer shall be Willoughby Model No. **LRFD-__SQ-__-__** (select from model number and options list below). Floor drain assembly shall be cast iron with two piece body with double flange and 1/2" primer tap, invertible flashing collar, weep holes, bottom outlet connection and Nikaloy adjustable housing with heavy gauge, stainless steel, ligature-resistant drain insert. The drain insert has 2-3/16 in² of open space for both the 5" and 6" insert.

LIGATURE-RESISTANT DISCLAIMER

This product is designed to minimize ligature points. While every effort has been made to reduce the possibility of ligature points, this product does not eliminate all risks. Ligature-Resistant products by Willoughby Industries are to be used in conjunction with, not as a replacement for, trained professionals.



1.) Base Model Number:

- LRFD Ligature-resistant floor drain

2.) Drain Insert

- 5SQ 5" Square
 6SQ 6" Square

3.) Pipe Size

- 2 2" Ø Pipe size
 3 3" Ø Pipe size
 4 4" Ø Pipe size

4.) Connection Type

- NH No-Hub Drain
 ICD Inside Caulk Drain
 PHG Push-On Hub with Gasket

5.) Domestic Drain (Optional - at additional cost)

- BAA Buy America Act Compliant



WARNING: Cancer and Reproductive Harm

- www.P65Warnings.ca.gov

visit our website at www.willoughby-ind.com
5105 West 78th Street • Indianapolis, IN. 46268
(317) 875-0830 • Fax: (317) 875-0837 • (800) 428-4065