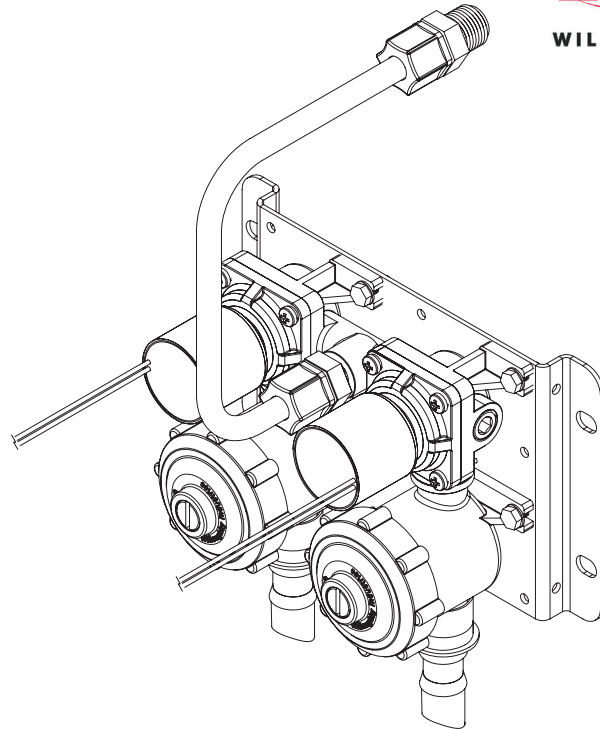


EBL2 Battery Operated Dual Temperature Lead-free Electronic Valve



Recommended Specifications

Battery Operated, Dual Temperature, Lead-free, Electronic Valve assembly shall be: Willoughby Model No. **EBL2**
(Select from options list)

The Battery Operated Electronic Valve assembly uses two 9V DC battery packs to power two latching valve coil solenoids controlled by WULCB-5400 controller.

The plastic valve checkstop/strainers shall feature integral mounting points. Replaceable stainless steel strainer and optional flow controllers can be serviced without disturbing the supply line. Assembly shall use flexible tubing to connect to the spray head/filler/bubbler. Water inlet is 1/2" MPT and is reversible for either top or bottom supply. A galvanized mounting plate is provided for mounting within the fixture.

Recommended operating pressure shall be 35-60 psi.
Recommended max operation temperature is 110° Fahrenheit.
Cost-reducing manifolded valves shall consist of multiple valve assemblies served by a common supply line. Each 9V latching valve coil shall require an individual DC battery pack using AA-type batteries for valve operation (supplied by manufacturer).

Valve complies with NSF-61 standard.

Model Number:

- EBL2 Dual Temp. Battery Operated

Flow Selection (choose one):

- 0.5 GPM Flow (lavatories)
 1.0 GPM Flow (bottle fillers)
 1.5 GPM Flow (showers)
 2.0 GPM Flow (showers)
 NFC (No Flow Control) (showers, up to MA2)

Control:

- Lavatory Control w/ PZPB, Battery Operated (WULCB-5400)

Options:

- MA2 (Double Manifold, no flow limitation)
 -MA3 (Triple Manifold, 0.5 GPM flow only)
 -MA4 (Quad Manifold, 0.5 GPM flow only)
 -TMV In-line Thermostatic Mixing Valve



WARNING: Cancer and Reproductive Harm

- www.P65Warnings.ca.gov

visit our website at www.willoughby-ind.com
5105 West 78th Street • Indianapolis, IN. 46268
(317) 875-0830 • Fax: (317) 875-0837 • (800) 428-4065



MADE IN THE U.S.A.