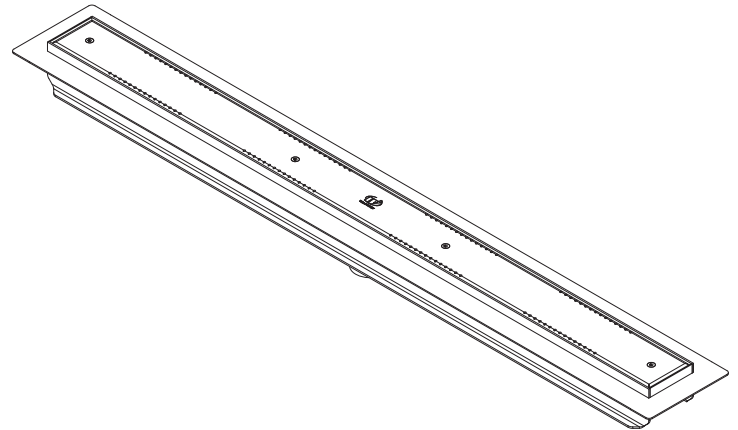




# LRTD Series Ligature-Resistant Recessed Trench Floor Drain



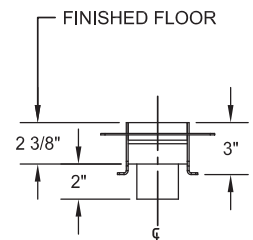
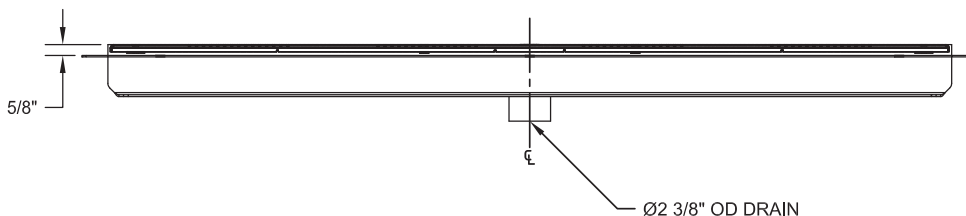
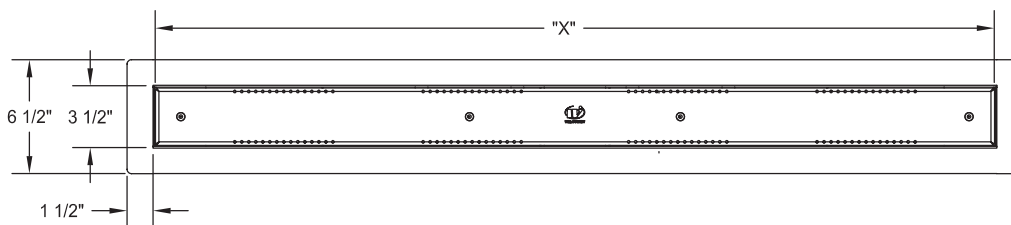
## Recommended Specifications

Ligature-Resistant Recessed Trench Floor Drain shall be Willoughby Model No. **LRTD-\_\_** (select from model number from list below). Floor drain body assembly shall be 14 & 12 gauge stainless steel, with a 14 gauge ligature-resistant drain cover polished to a satin finish.

✓	MODEL NUMBER	TRENCH DRAIN COVER LENGTH ("X")	DRAINAGE FLOW RATE (MAX. GPM)
	LRTD-12	12"	10 GPM
	LRTD-24	24"	15 GPM
	LRTD-36	36"	15 GPM
	LRTD-48	48"	20 GPM
	LRTD-60	60"	20 GPM

### LIGATURE-RESISTANT DISCLAIMER

This product is designed to minimize ligature points. While every effort has been made to reduce the possibility of ligature points, this product does not eliminate all risks. Ligature-Resistant products by Willoughby Industries are to be used in conjunction with, not as a replacement for, trained professionals.



**WARNING:** Cancer and Reproductive Harm

- [www.P65Warnings.ca.gov](http://www.P65Warnings.ca.gov)

visit our website at [www.willoughby-ind.com](http://www.willoughby-ind.com)  
5105 West 78th Street • Indianapolis, IN. 46268  
(317) 875-0830 • Fax: (317) 875-0837 • (800) 428-4065



MADE IN THE U.S.A.