



## ASWLDR-1922-DMF Stainless Steel Ligature-resistant Front Mounted Behavioral Healthcare Lavatory Powder Coated White



### Recommended Specifications

Stainless Steel, Ligature-resistant, Front Mounted, Behavioral Healthcare Lavatory, Powder Coated White shall be: Willoughby Model No. **ASWLDR-1922-DMF** (Select from model number and options list on next page)

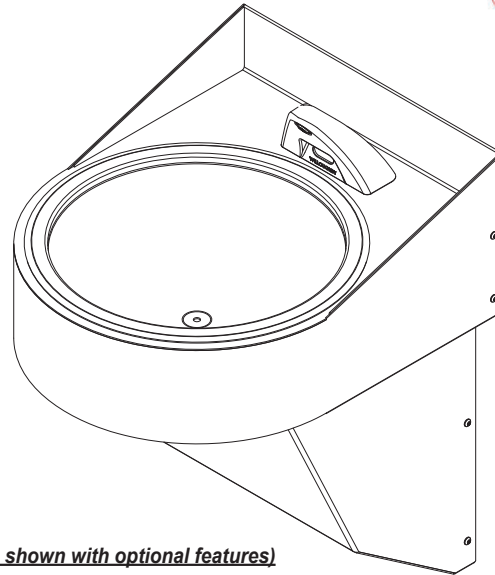
Wall-hung fixture shall accommodate one user and is designed to minimize ligature points. The lavatory will have rounded integral sloped backsplash and rounded integral ligature-resistant side splashes. Fixture shall be fabricated from 14 gauge, type 304 stainless steel. The construction shall be welded with removable trap enclosure. Fixture exterior, including deck, basin, and trap enclosure, shall have an antimicrobial gloss white powder coat enamel finish\*\*. A bare stainless steel lavatory basin with polished satin finish is optional.

The faucet shall be constructed of cast 304 stainless steel with a polished exterior finish. The ligature-resistant faucet shall be surface mounted with no visible fasteners. The faucet shall provide non-aerated water stream. The faucet shall have a 35° angle of spray with 16° max swivel adjustment, with 1.5 GPM maximum flow rate.

ASWLDR-1922-DMF Lavatory shall be supplied with drain tail-piece, integral checkstops, flexible supply hoses, control valves, Class II 120/24 VAC plug-in transformers\*. Operating supply water pressure range is 30-75 psi. Optional factory installed thermostatic mixing valve is available.

#### Vandal Resistance/Safety Features:

The faucet, slow drain and escutcheon are non-removable and are designed to minimize ligature points. Valve, water supplies and waste connection are concealed within trap enclosure. All exposed fasteners shall be vandal-resistant security type screws.



*(Unit may be shown with optional features)*

To specify fixture and accessories, use the Model Number and Options page.

Example: To specify a single station Ligature-resistant, Stainless Steel, Behavioral Healthcare Lavatory, Powder Coated White with ligature-resistant infrared faucet.

Use the following Willoughby Model Number:

**ASWLDR-1922-DMF-LRFC-IR**

#### ADA, TAS, UFAS, and ANSI Compliant:

When the lavatory is mounted at the standard adult rim height it is designed to comply with all applicable ADA, TAS, UFAS, and ANSI Z124.3 and Z124.6 accessibility guidelines.

#### Mounting:

The lavatory may be surface-mounted as supplied or supported by in-wall plate carriers supplied by others. Proper backing and anchoring hardware for mounting of lavatory provided by others.

#### Optional Features:

\* *Note:* Plug-in transformer must be used with a ground fault interrupter (GFCI) receptacle to prevent possible electrical shock.

\*\*Antimicrobial properties are built-in to inhibit the growth of bacteria that may affect this product. The antimicrobial properties do not protect users or others against bacteria, viruses, germs, or other disease organisms. Always use good hygienic cleaning practices.

#### LIGATURE-RESISTANT DISCLAIMER

This product is designed to minimize ligature points. While every effort has been made to reduce the possibility of ligature points, this product does not eliminate all risks. Ligature-Resistant products by Willoughby Industries are to be used in conjunction with, not as a replacement for, trained professionals.



**WARNING:** Cancer and Reproductive Harm

- [www.P65Warnings.ca.gov](http://www.P65Warnings.ca.gov)



MADE IN THE U.S.A.

visit our website at [www.willoughby-ind.com](http://www.willoughby-ind.com)  
5105 West 78th Street • Indianapolis, IN. 46268  
(317) 875-0830 • Fax: (317) 875-0837 • (800) 428-4065

# MODEL NUMBER AND OPTIONS:

## 1.) Base Model Number:

- ASWLDR-1922-DMF      Stainless Steel, Ligature-resistant, Front Mounted,  
Behavioral Healthcare Lavatory, Powder Coated  
White

## 2.) Faucet:

- LRFC-IR      Ligature-Resistant Infrared Faucet, Plug-in\*  
 LRFC-BO      Ligature-Resistant Infrared Faucet, Battery Operated  
 LRFC-PBH      Ligature-Resistant Faucet Push Button, Pneumatic  
 LRFC-PZPB      Ligature-Resistant Faucet Push Button, Piezo Electronic\*

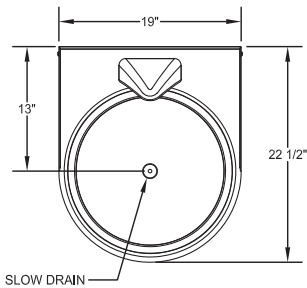
## 3.) Options:

- SSB      Stainless Steel Lavatory Basin (basin not powder coated)  
 LDC      Less Powder Coat Finish  
 TMV      In-line Thermostatic Mixing Valve  
 Other \_\_\_\_\_  
 Other \_\_\_\_\_

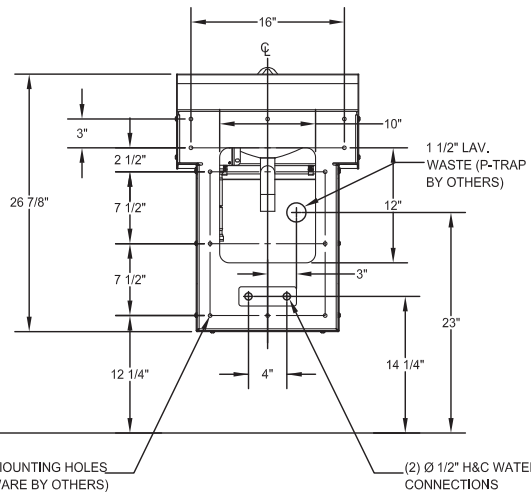
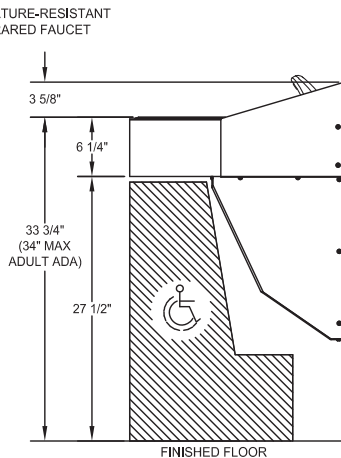
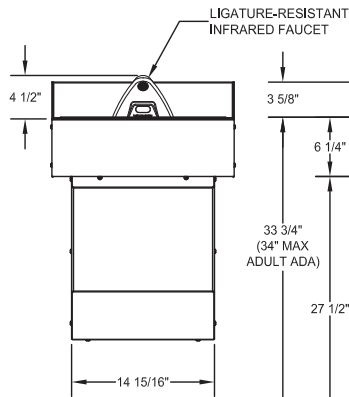
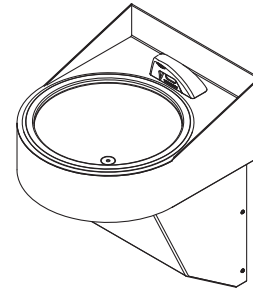
\*(Req. 110V power through ground fault interrupter (GFCI) receptacle)

Approved For Manufacturing By: \_\_\_\_\_ Date: \_\_\_\_\_ Company: \_\_\_\_\_  
 Wall Thickness: \_\_\_\_\_ Wall Type: \_\_\_\_\_

**VERIFY ALL DIMENSIONS WITH FACTORY PRIOR TO ROUGH-IN**  
 WILLOUGHBY RESERVES THE RIGHT TO MAKE CHANGES IN DESIGN AND  
 DIMENSIONS WITHOUT FORMAL NOTICE AND WITHOUT INCURRING OBLIGATION.



IN COMPLIANCE WITH A.D.A. 2010



visit our website at [www.willoughby-ind.com](http://www.willoughby-ind.com)  
 5105 West 78th Street • Indianapolis, IN. 46268  
 (317) 875-0830 • Fax: (317) 875-0837 • (800) 428-4065



MADE IN THE U.S.A.