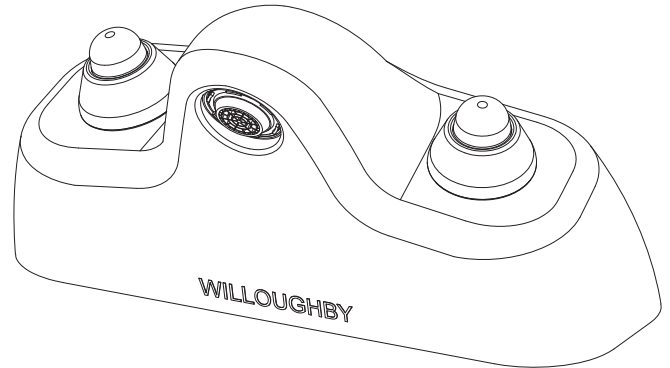




LRFC-PBH

Ligature-resistant Pneumatic Push Button Faucet (4" Center Set)



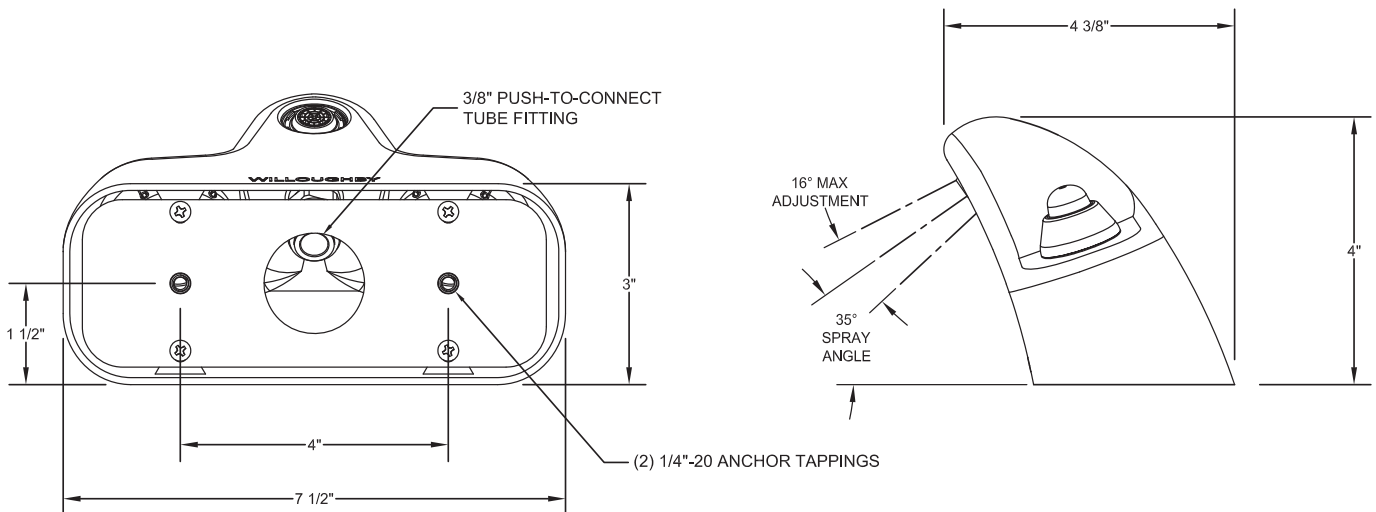
Recommended Specifications

Willoughby model LRFC-PBH Ligature-resistant, Pneumatic Push Button Faucet shall be constructed of cast 304 stainless steel with a polished exterior finish. The ligature-resistant faucet shall be surface mounted with no visible fasteners. The faucet shall have a 35° angle of spray with 16° max swivel adjustment, with 1.5 GPM maximum flow rate. The LRFC-PBH features a concealed vandal resistant removable insert. The insert can be serviced and installed with a specifically designed key tool. The insert provides a non-aerated laminar flow with smart lime cleaning technology. The LRFC-PBH has a contoured design to minimize any potential ligature points. The faucet is supplied with a valve, ligature-resistant pneumatic push buttons, and connection tubes.

OPTIONS:

- TMV In-line Thermostatic Mixing Valve

Faucet conforms to ADA requirements for accessibility, when mounted properly on fixture. Consult local codes for ADA requirements as codes and interpretations may vary.



LIGATURE-RESISTANT DISCLAIMER

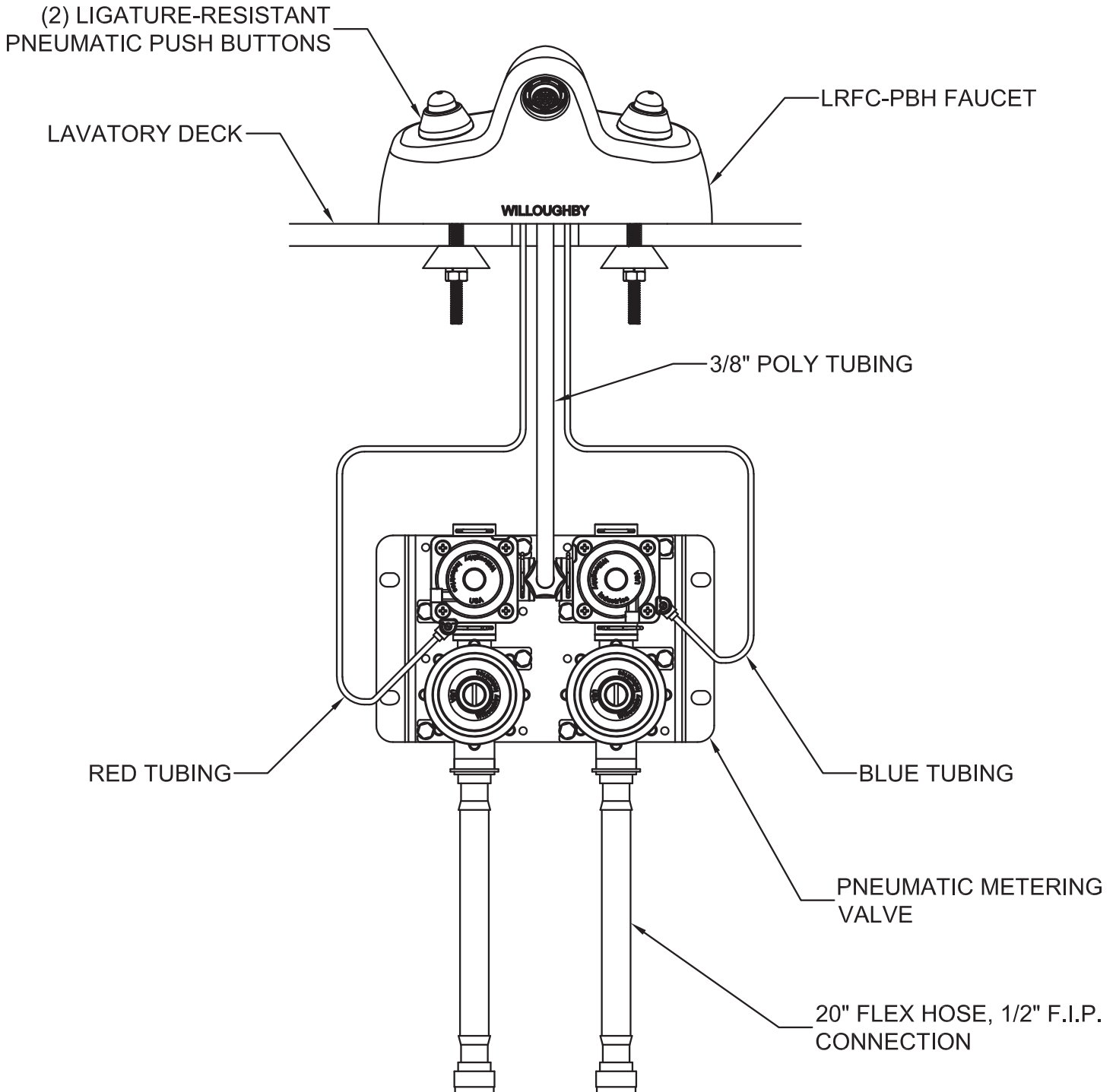
This product is designed to minimize ligature points. While every effort has been made to reduce the possibility of ligature points, this product does not eliminate all risks. Ligature-Resistant products by Willoughby Industries are to be used in conjunction with, not as a replacement for, trained professionals.



WARNING: Cancer and Reproductive Harm

- www.P65Warnings.ca.gov

visit our website at www.willoughby-ind.com
 5105 West 78th Street • Indianapolis, IN. 46268
 (317) 875-0830 • Fax: (317) 875-0837 • (800) 428-4065



visit our website at www.willoughby-ind.com
5105 West 78th Street • Indianapolis, IN. 46268
(317) 875-0830 • Fax: (317) 875-0837 • (800) 428-4065