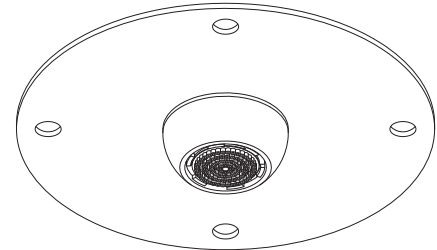


## LRCMSH Ligature-resistant Ceiling Mounted Shower Head



### Recommended Specifications

Willoughby model LRCMSH Ligature-resistant Ceiling Mounted Shower Head shall be fixed type, constructed of type 303 stainless steel. The vandal resistant shower head shall be mounted on to a removable vandal resistant plate. The shower head shall have a 30° angle of spray, with 1.5 GPM flow rate. Optional 2.0 GPM flow rate available. Both the 1.5 GPM & 2.0 GPM Shower heads utilize a WaterSense Labeled insert that provides a steady and regulated flow. The inlet connection shall be 3/8" PTC fitting.

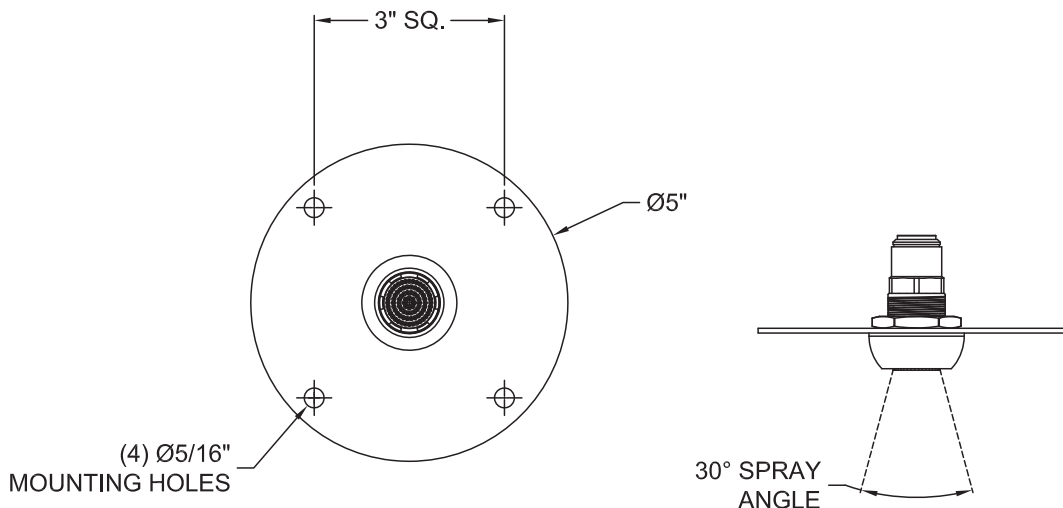
The LRCMSH features a concealed vandal resistant removable insert, the insert can be removed and installed with a specifically designed key tool. The insert provides a non-aerated (laminar flow) soft water stream w/ smart lime cleaning technology.

#### Flow Rate:

- 1.5 GPM Flow Rate (WaterSense Labeled Insert) (Standard)
- 2.0 GPM Flow Rate (WaterSense Labeled Insert)

#### LIGATURE-RESISTANT DISCLAIMER

This product is designed to minimize ligature points. While every effort has been made to reduce the possibility of ligature points, this product does not eliminate all risks. Ligature-Resistant products by Willoughby Industries are to be used in conjunction with, not as a replacement for, trained professionals.



**WARNING:** Cancer and Reproductive Harm

- [www.P65Warnings.ca.gov](http://www.P65Warnings.ca.gov)

visit our website at [www.willoughby-ind.com](http://www.willoughby-ind.com)  
5105 West 78th Street • Indianapolis, IN. 46268  
(317) 875-0830 • Fax: (317) 875-0837 • (800) 428-4065



MADE IN THE U.S.A.