

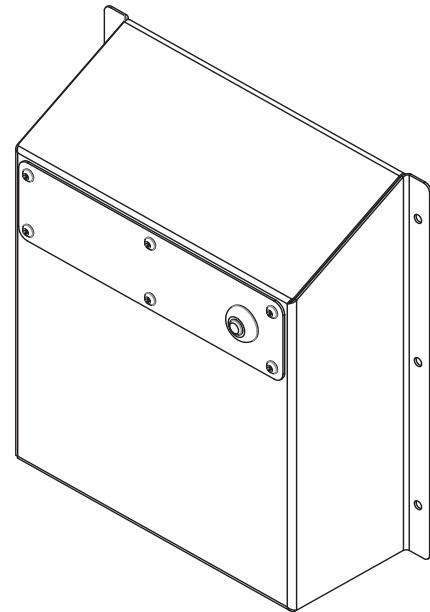
ASFVC-ADA Ligature-resistant ADA Compliant Flush Valve Cover

Stainless steel ligature-resistant ADA compliant flush valve cover shall be:
Willoughby Option No. **ASFVC-ADA**

Flush valve cover shall be fabricated from 14 GA, Type 304 stainless steel with exposed stainless steel surfaces polished to a #4 satin finish. Flush valve cover is supplied with Ø5/16" mounting holes, anchoring hardware is provided by others. Flush valve cover shall have a ligature-resistant sloped top, radiused vertical corners, single access cover with a single push button hole for right or left hand toilet.

Options:

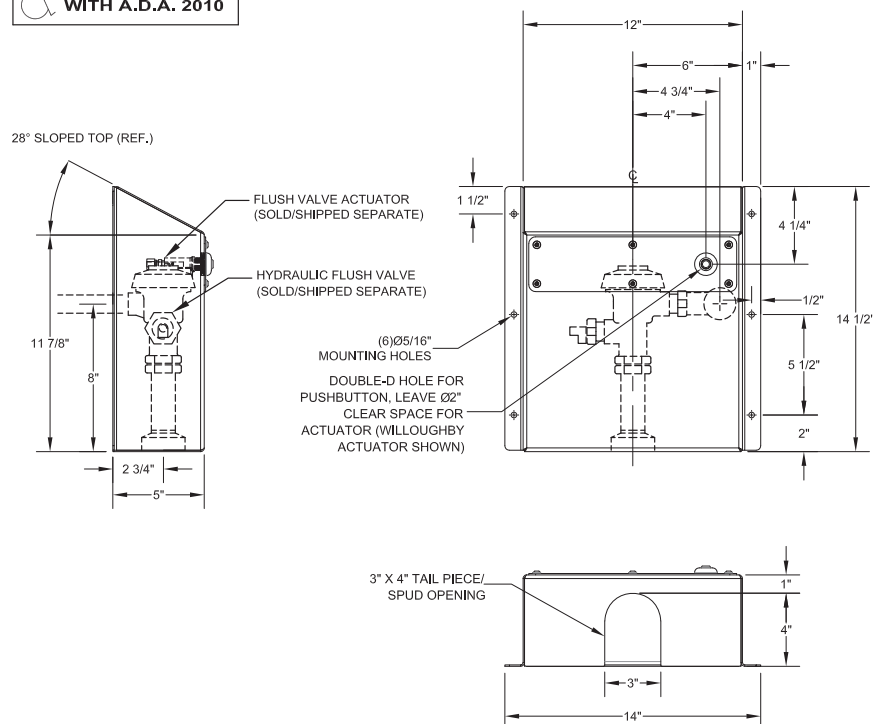
- DC Decorator Color (Fixture exterior only- White)
- For use with Willoughby push button actuator (double 'D' hole required)
- For use with Sloan push button actuator (Ø1-1/2" hole required)
- For use with another push button actuator (specify hole size: _____)



SHOWN WITH WILLOUGHBY 600317PM PUSH BUTTON



FOR SLOAN HYDRAULIC FLUSH VALVE



LIGATURE-RESISTANT DISCLAIMER

This product is designed to minimize ligature points. While every effort has been made to reduce the possibility of ligature points, this product does not eliminate all risks. Ligature-Resistant products by Willoughby Industries are to be used in conjunction with, not as a replacement for, trained professionals.



WARNING: Cancer and Reproductive Harm

- www.P65Warnings.ca.gov



MADE IN THE U.S.A.

visit our website at www.willoughby-ind.com
5105 West 78th Street • Indianapolis, IN. 46268
(317) 875-0830 • Fax: (317) 875-0837 • (800) 428-4065