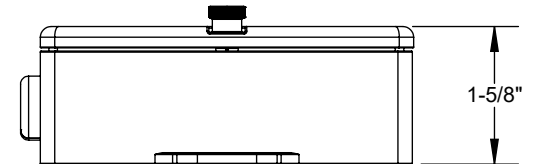
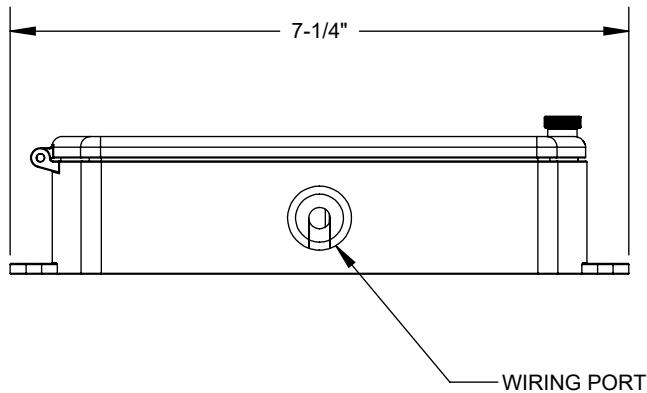
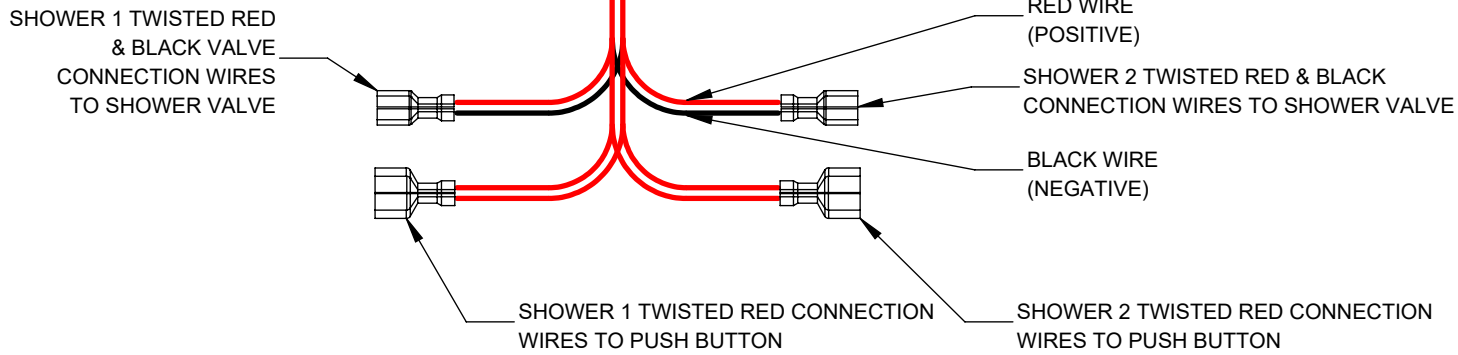
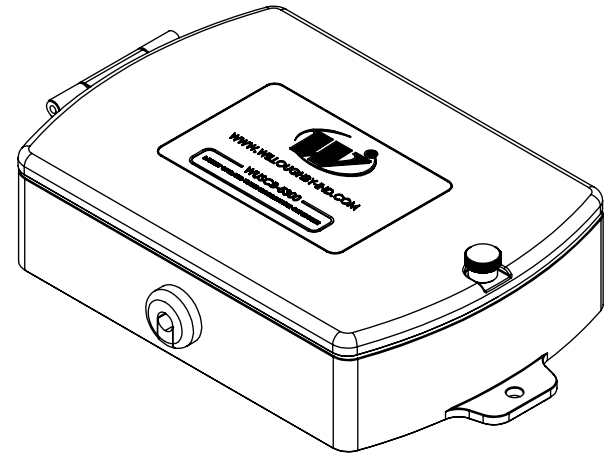
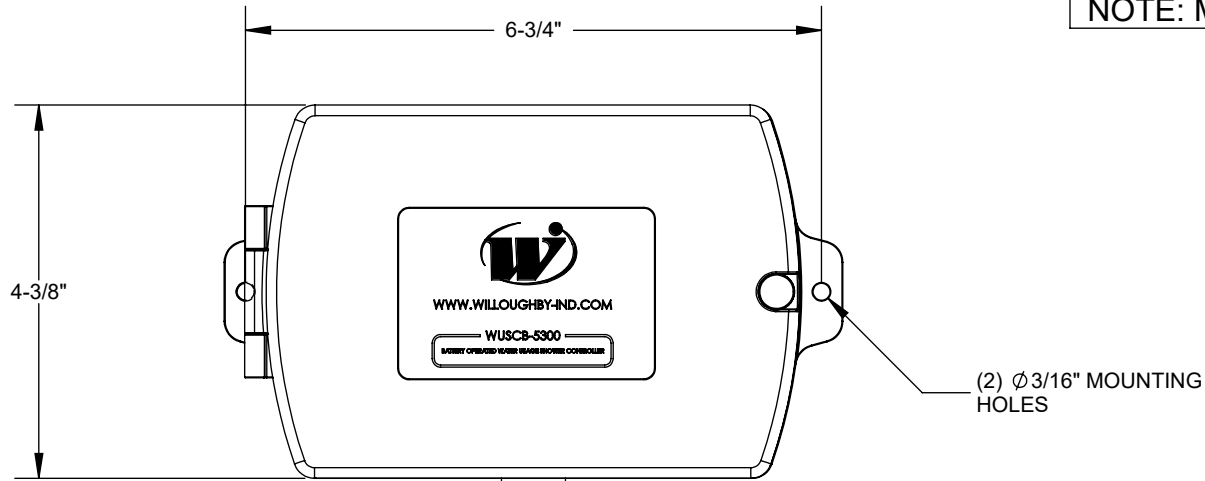



NOTE: MOUNTING HARDWARE BY OTHERS



	Willoughby Industries, Inc. Indianapolis, Indiana		TITLE / DESC.: WUSCB-5300 SHOWER CONTROL ASSEMBLY, BATTERY OPERATED		PART #: 701554	
	TOLERANCES EXCEPT AS NOTED	2 PLCS: ±0.03 3 PLCS: ±0.015 FRACTIONS: ±1/4" ANGLE: ±1°	SIZE: A	MATL: SEE BOM	REVISION: A	ORIG.: NAL 5/20/20 REV.: NAL 5/20/20

SHOWER 1 INLET WIRE CONNECTION POINTS

SHOWER 1 INPUT LIGHT

BATTERY PORT 1

SHOWER CONTROL TOTAL ON TIME DIAL (MINUTES ALLOWED BEFORE LOCKOUT)

SHOWER 1 DELAY LIGHT

SHOWER 1 VALVE OFF LIGHT

SHOWER 1 VALVE ON LIGHT

SHOWER 1 OUTLET WIRE CONNECTION POINTS

BATTERY PACK 1

SHOWER 2 INLET WIRE CONNECTION POINTS

SHOWER 2 INPUT LIGHT

LOW BATTERY INDICATOR LIGHT

CONTROLLER RESET BUTTON

SHOWER DELAY CONTROL DIAL (LOCKOUT IN MINUTES)

SHOWER 2 DELAY LIGHT


SHOWER 1 VALVE OFF LIGHT

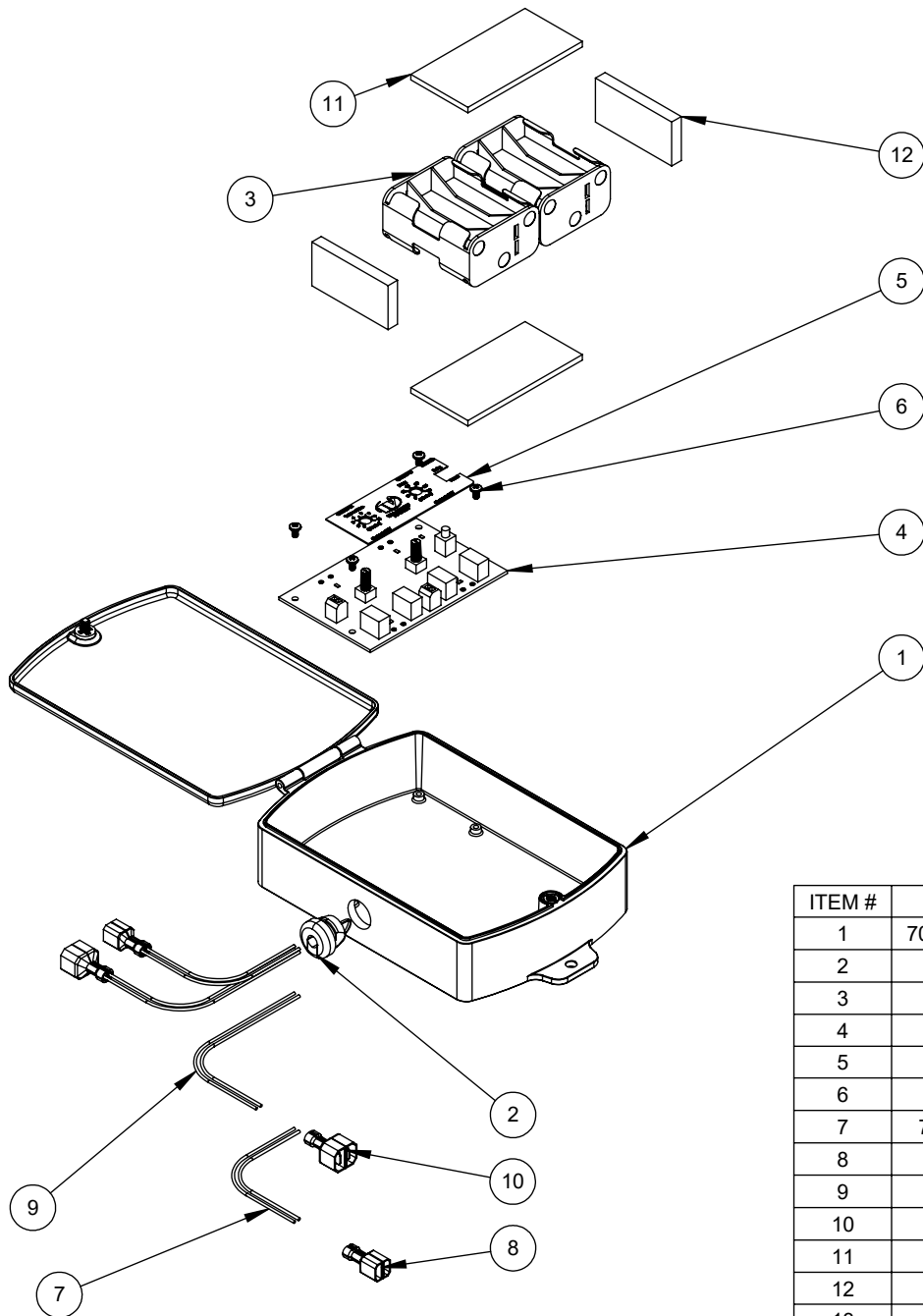
SHOWER 1 VALVE ON LIGHT

SHOWER 2 OUTLET WIRE CONNECTION POINTS

BATTERY PORT 2

BATTERY PACK 2

	Willoughby Industries, Inc. Indianapolis, Indiana		TITLE / DESC.: WUSCB-5300 SHOWER CONTROL ASSEMBLY, BATTERY OPERATED		PART #: 701554	
	TOLERANCES EXCEPT AS NOTED		2 PLCS: ±0.03 3 PLCS: ±0.015	SIZE: A SCALE: 1:1.125	MATL: SEE BOM	
FRACTIONS: ±1/4" ANGLE: ±1°		REVISION: A		ORIG.: NAL 5/20/20	STANDARD	
		REF.:		REV.: NAL 5/20/20	SHEET: 2 OF 3	



NOTE: #13, & 14 IS NOT SHOWN

ITEM #	PART #	DESCRIPTION	QTY.
1	701550A-NM	ENCLOSURE, CVC - NO MACHINING	1
2	701524	BUSHING, STRAIN RELIEF CVC2	1
3	701545	BATTERY HOLDER, FLUSH CONTROLLER	2
4	701541	PCB ASSEMBLY, BATTERY FLUSH CONTROL	1
5	701559	LABEL, WUSCB, BO SHOWER CONTROL	1
6	980716	SCREW, OVAL HEAD PHILLIPS, 4-40 THREAD, 3/16" LONG, 18-8 SS	4
7	701330-02	WIRE, 22AWG BLACK/RED TWISTED	2
8	600830	CONNECTOR, 1/4"FEM, 18-22 AWG, FI	4
9	701330-2	WIRE, 22AWG PAIR, RED, STRANDED, TWISTED	2
10	701077	CONNECTOR, 1/4" TAB, 18-22AWG, FI	4
11	701544	FOAM STRIP, 1-1/2" X 1/8" THICK	2
12	701543	FOAM STRIP, 1" X 1/4" THICK	2
13	701547	WIRE TIE LABEL	2
14	701560	DECAL, WUSCB, BO SHOWER CONTROL	1



Willoughby Industries, Inc.
Indianapolis, Indiana

TOLERANCES
EXCEPT AS
NOTED

2 PLCS: ±0.03
3 PLCS: ±0.015
FRACTIONS: ±1/4"
ANGLE: ±1°

SIZE: A
SCALE: 1:3.5

TITLE / DESC:

WUSCB-5300
SHOWER CONTROL ASSEMBLY, BATTERY OPERATED

MATL: SEE BOM

REF.:

PART #:

701554

REVISION: A

ORIG.: NAL 5/20/20
REV.: NAL 5/20/20

STANDARD
SHEET: 3 OF 3