

INSTALLATION INSTRUCTIONS

Shower Wall Kit Installation

1. If installing a Solid Surface Wall Kit, make sure the shower pan is covered with padding or blankets to protect it against damage during wall kit installation.
2. Verify sheathing material has a 1/2" gap between the bottom edge of the board and the top edge of shower pan. If not, cut the sheathing to provide the gap.
3. If the shower is getting a recess soap dish, locate the position of the soap dish on the sheathing and cut the opening for the dish avoiding any wall stud locations. Locate the recess soap dish on the panel that will be installed on the designated wall. Transfer the dimensions to the panel and cut the opening out.
4. Measure the height of the sidewall that the plumbing products will be located and cut the side panel to fit the wall, leaving a 1/16" gap between the bottom of the panel and the top of the shower pan flange (**SEE FIG. 1**).
5. Once the side panel is cut, measure and mark the locations for the plumbing outlets. Cut the holes larger than what is required for plumbing outlets. Apply commercial grade urethane adhesive, such as Bostik 1100FS, to drywall and install the panel, making sure to leave a 1/16" gap between the bottom edge of the panel and the top of the shower pan (**SEE FIG. 2**).

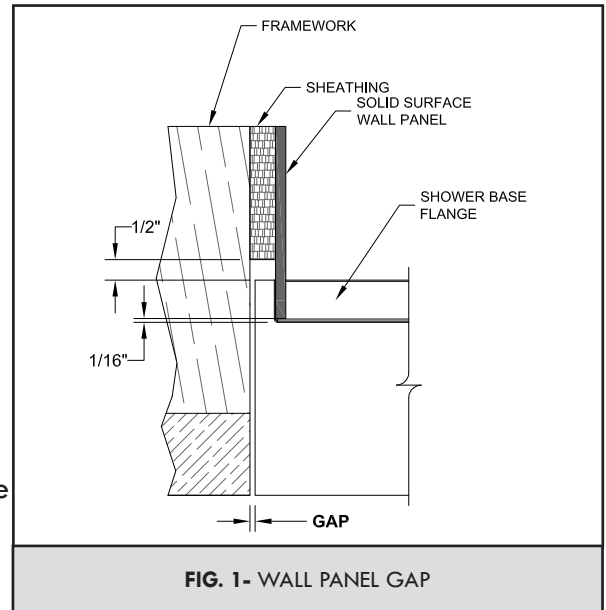


FIG. 1- WALL PANEL GAP

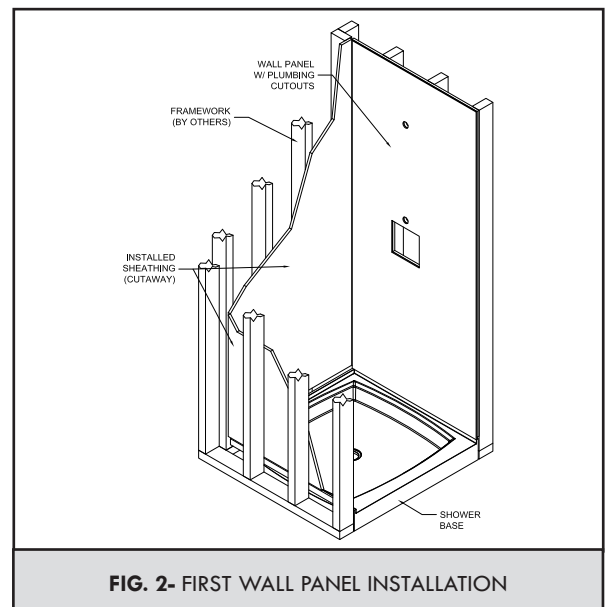


FIG. 2- FIRST WALL PANEL INSTALLATION

INSTALLATION INSTRUCTIONS

Shower Wall Kit Installation (Cont.)

6. Measure and cut the other side panel to the height of the shower, leaving a 1/16" gap between the bottom of the panel and the top of the shower pan. Apply commercial grade urethane adhesive to drywall and install the panel, making sure to leave a 1/16" gap between the bottom edge of the panel and the top edge of the shower base flange pan.
7. When installing the back panel measure and cut the panel to fit in-between the two side panels leaving a 1/16" gap between the back panel and both side panels. Apply commercial grade urethane adhesive to the panel and install the panel leaving a 1/16" between the bottom edge of the panel and the top edge of the pan, leaving a 1/16" gap between the side edges and the side panels (**SEE FIG. 3**).
8. If the back wall of the shower uses multiple panels leave a 1" gap between each back panel when installing them. Once the back panels have been installed take the 3" batten strip and apply commercial grade urethane adhesive to the batten strip and place it so that it is overlapping each sheet by 1" (**SEE FIG. 4**).

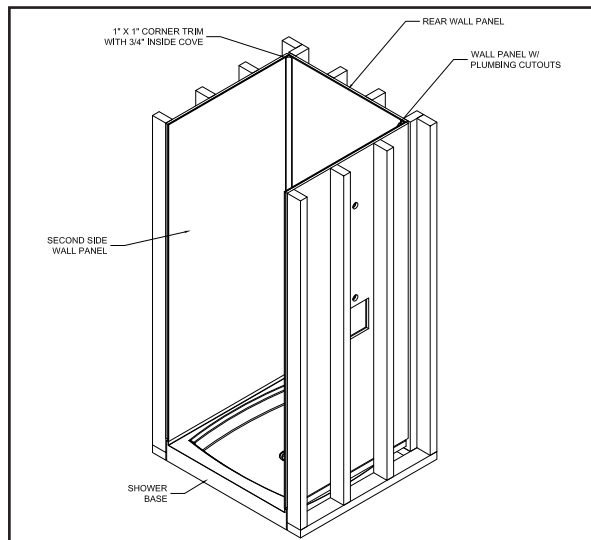


FIG. 3- SHOWER WALL SINGLE REAR PANEL INSTALLATION

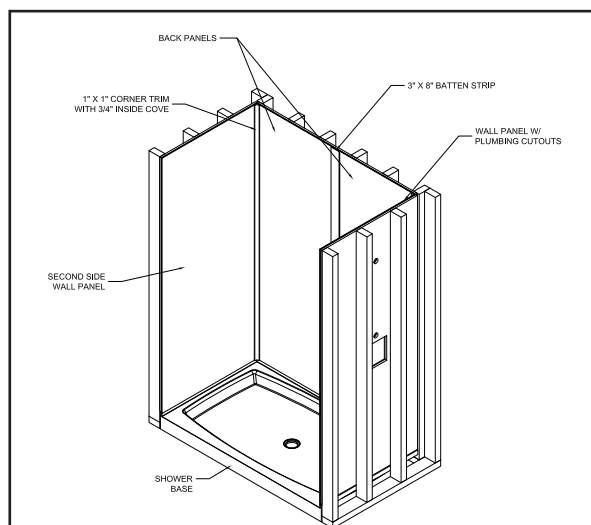


FIG. 4- SHOWER WALL DUAL REAR PANEL INSTALLATION