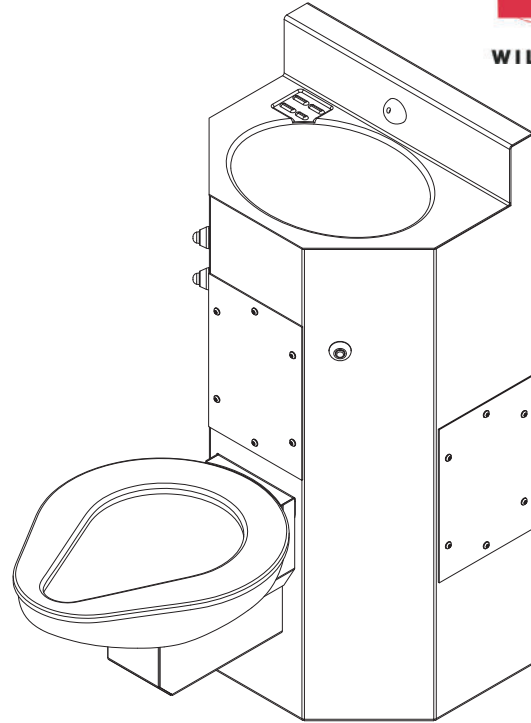


## 1846-FA Series 18" Wide Front Access Combination Lavatory/Toilet Units



*(Unit may be shown with optional features)*

To specify fixture and accessories, use the Model Number and Options page.

Example: To specify a wall outlet front access 18" wide combination unit with centered toilet, standard ligature-resistant filler/bubbler, 1.6 GPF, dual temp. pneumatic metering valve, standard ligature-resistant pneumatic push buttons, removable lav. 'p' trap, lav. fast drain, standard gasketed waste connection, hydraulic flush valve, left recessed tissue holder (for Centered toilet), and wall template

Use the following Willoughby Model Number:

**ECW-1846-FA-C-ON-BPH-1.6-PML2-PBH-RPT-GWC-FV-RTHL-MT**

## Recommended Specifications

18" Wide Front Access Combination Lavatory/Toilet Units shall be:  
Willoughby Model No. **EC\_\_-1846-FA**  
(Select from model number and options list on next page)

Fixture shall be fabricated from 14 gauge, type 304 stainless steel. The construction shall be all welded, with exposed stainless surfaces polished to a #4 satin finish. Removable access panels, attached w/ security screws, shall provide access to fixture interior.

Standard toilet shall include:

- Elongated toilet bowl with contoured seat
- Integral crevice-free self-draining flushing rim with positive afterfill
- Bead blast finish bowl interior

Toilet shall be blowout type, requiring 35 psi min. flushing pressure. Model shall meet the requirements of ASME A112.19.3/CSA B45.4.

Standard lavatory shall include:

- Oval-shaped bowl, 13" x 9-1/2" x 5-1/2" deep
- Stainless steel ligature-resistant bubbler/filler
- Fast drain with air vent
- Removable slip-joint brass union 'P' trap (1-1/2" N.P.T.)
- Self-draining soap dish

Fixture shall withstand loadings of 5,000 lbs. without permanent damage.

Cabinet interior shall be sound deadened with fire-resistant material.

Optionally selected lavatory valve and flush valve shall be factory installed inside fixture cabinet.

Anchoring shall be from the front, anchoring holes provided. Anchoring hardware provided by others. Standard unit requires no chase area for installation and maintenance, however certain non-standard options may require an accessible chase (see options list for details).

**On back to back fixture installations, do not use standard cross type waste fitting: cross flow may result due to blowout jet action. Use sanitary or offset type waste fittings.**

**Note:** Unit will pass a 2" ball.

**Note:** Fixture should only be used with a listed high-efficiency flushometer to ensure the complete system meets the requirements of WaterSense.



**WARNING:** Cancer and Reproductive Harm

- [www.P65Warnings.ca.gov](http://www.P65Warnings.ca.gov)



MADE IN THE U.S.A.

visit our website at [www.willoughby-ind.com](http://www.willoughby-ind.com)  
5105 West 78th Street • Indianapolis, IN. 46268  
(317) 875-0830 • Fax: (317) 875-0837 • (800) 428-4065

# MODEL NUMBER AND OPTIONS:

## 1.) Toilet Waste Location:

- ECW Wall Outlet
- ECF Floor Outlet

## 2.) Base Model Number:

- 1846-FA 18" Wide Front Access Lav-toilet Combination

## 3.) Toilet Orientation:

- L Angled Left
- R Angled Right
- C Centered

## 4.) Fixture Mounting:

- ON On-Floor

## 5.) Bubbler Selection:

- BPH Ligature-resistant Bubbler/Filler (Standard)\*\*
- BC Code Bubbler/Filler (w/ Non Ligature-Resistant Mouth Guard)
- FLH Ligature-resistant Lav. Filler\*\*

## 6.) Lavatory Valve Selection:

- NV No Valve (Provided by Others)
  - Special Hole Punching Dimension:
- PSL1 Single Temp. Pneumatic Non-metering
- PSL2 Dual Temp. Pneumatic Non-metering
- PML1 Single Temp. Pneumatic Metering
- PML2 Dual Temp. Pneumatic Metering
- E1L1 Single Temp. Electronic (Pick Control)
- E1L2 Dual Temp. Electronic (Pick Control)

## 7.) Lavatory Push Button Selection:

- PBH Ligature-resistant Pneumatic Push Buttons\*\*
- PZPB Ligature-resistant Piezo Electronic Push Buttons\*\*

## 8.) Electronic Controls\*

(Must Use Electronic Lavatory & Flush Valves):

- WUCC-3010  Pneutronic  WMSII

## 9.) Lavatory Waste:

- RPT Removable 'P'-Trap (1-1/2" N.P.T.) (Standard)
- OV Lavatory Overflow
- CW1 Combined Waste w/o Clean-out
- CW2 Combined Waste w/ Clean-out
- SLOW Slow Drain

## 10.) Toilet Waste:

- GWC Gasketed Waste Connection (Standard)
- TWE Toilet Waste Extension (Requires Accessible Chase)
- TW4 4" Cast Iron Closet Flange

## 11.) Waste Coupling for (TWE) Toilet Waste Extension:

- TWC3P Connecting to 3" PVC
- TWC3C Connecting to 3" Cast Iron
- TWC4P Connecting to 4" PVC
- TWC4C Connecting to 4" Cast Iron

## 12.) Flush Valve:

- FV Hydraulic Flush Valve (Includes Actuator)
  - 1.28 GPF HET (4.8 Lpf)
  - 1.6 GPF ULF (6.0 Lpf)
  - 3.5 GPF (13.2 Lpf)\*\*\*
- EFVP Electronic Flush Valve w/ (PZPB) Ligature-resistant Piezo Push Button (Pick Control)\*\*
  - 1.28 GPF HET (4.8 Lpf)
  - 1.6 GPF ULF (6.0 Lpf)
  - 3.5 GPF (13.2 Lpf)\*\*\*
- NFV No Flush Valve (Provided by Others)
  - Special Hole Punching Dimension:

## 13.) Other Options:

- T4 Manual Reset Toilet Overflow Preventer, Req. (FV)
- T4A Auto Reset Toilet Overflow Preventer, Req. (FV)
- ET4 Electronic Toilet Overflow Preventer, Requires (EFVP) & (WUCC-3010) or (WMSII)
- HS Hinged White Plastic Seat (Not recommended for Max. Security/Ligature-resistant use; No Cover)
- RTH\_ Recessed Tissue Holder
  - L -Left Side Holder for C & R Toilet Orientation
  - R -Right Side Holder for L Toilet Orientation
- ISH Integral Shelf
- TB1\_ Single Toothbrush Holder
  - L  R
- TB2\_ Dual Toothbrush Holder
- TH1\_ Single Towel Hook
  - L  LF  C  RF  R
- TH2\_ Dual Towel Hook
  - L  LF  C  RF  R
- DC Decorator Color (Fixture exterior only - White)
- TF24H Hard-wired Transformer, 110VAC to 24VAC\*
- TF24P Plug-in Transformer, 110VAC to 24VAC\*
- HPS High Polish Seat
- VG Vent Grille, 6-1/2"x 9-1/2" (13-3/4 in<sup>2</sup> free area)
  - L  LF  RF  R
- MT Wall Template
- WS Wall Sleeve (Requires Accessible Chase)
- SK Ligature-resistant Toilet Skirt\*\*
- TG 12 Gauge Cabinet
- TSC Toilet Shipping Cover
- Other \_\_\_\_\_
- Other \_\_\_\_\_

\*(Req. 110V power through ground fault interrupter (GFCI) receptacle / breaker)

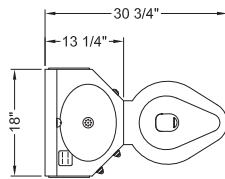
### \*\*LIGATURE-RESISTANT DISCLAIMER

This product is designed to minimize ligature points. While every effort has been made to reduce the possibility of ligature points, this product does not eliminate all risks. Ligature-Resistant products by Willoughby Industries are to be used in conjunction with, not as a replacement for, trained professionals.

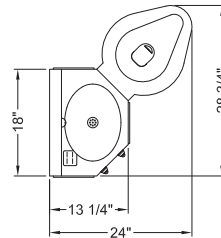
\*\*\*For replacement fixtures only

Approved For Manufacturing By: \_\_\_\_\_ Date: \_\_\_\_\_ Company: \_\_\_\_\_  
 Wall Thickness: \_\_\_\_\_ Wall Type: \_\_\_\_\_

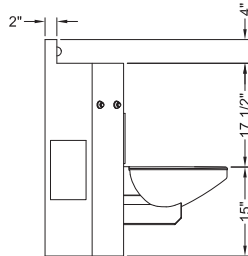
**VERIFY ALL DIMENSIONS WITH FACTORY PRIOR TO ROUGH-IN**  
 WILLOUGHBY RESERVES THE RIGHT TO MAKE CHANGES IN DESIGN AND DIMENSIONS WITHOUT FORMAL NOTICE AND WITHOUT INCURRING OBLIGATION.



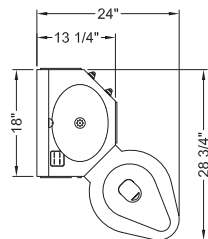
PLAN VIEW  
CENTER CONFIGURATION



PLAN VIEW  
RIGHT HAND CONFIGURATION



SIDE VIEW



PLAN VIEW  
LEFT HAND CONFIGURATION

visit our website at [www.willoughby-ind.com](http://www.willoughby-ind.com)  
 5105 West 78th Street • Indianapolis, IN. 46268  
 (317) 875-0830 • Fax: (317) 875-0837 • (800) 428-4065



MADE IN THE U.S.A.