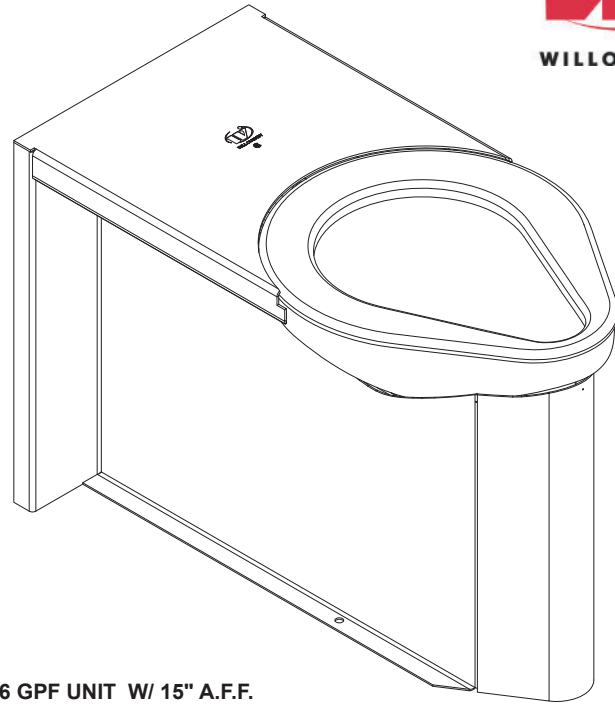




## ASETWS-1490-FM Ligature-resistant Rear Mounted Wall Outlet Floor Mounted Siphon Jet Series Toilet



IN COMPLIANCE  
WITH A.D.A. 2010

\*\* USE "HC" SUFFIX FOR  
18" A.F.F. SEAT HEIGHT

(1.6 GPF UNIT W/ 15" A.F.F.  
SEAT HEIGHT\*\* SHOWN)

*(Unit may be shown with optional features)*

To specify fixture and accessories, use the Model Number and Options page.

Example: To specify a Ligature-resistant, Wall Outlet, Floor Mounted Siphon Jet Series Toilet with back spud, standard 15" seat height, 1.6 GPF, toilet waste extension, 3" PVC waste coupling, hydraulic flush valve, flush valve connection, high polish seat, wall sleeve, and toilet shipping cover

Use the following Willoughby Model Number:

**ASETWS-1490-FM-BS-1.6-TWE-TWC3P-FV-FVT-HPS-WS-TSC**

### Recommended Specifications

Ligature-resistant, Rear Mounted, Wall Outlet, Floor Mounted, Siphon Jet Series Toilet shall be: Willoughby Model No. **ASETWS-1490-FM** (Select from model number and options list on next page)

Fixture shall be fabricated from 14 gauge, type 304 stainless steel. The construction shall be all welded, with exposed stainless surfaces polished to a #4 satin finish.

Standard toilet shall include:

- Elongated toilet bowl with contoured seat
- Integral crevice-free self-draining flushing rim with positive afterfill
- Fully enclosed 2-3/8" O.D. trap which shall maintain a minimum 2" seal and pass a 2" ball
- Bead blast finish bowl interior

Toilet shall be siphon jet type, requiring 35 PSI minimum flushing pressure. Model shall meet the requirements of ASME A112.19.3/CSA B45.4.

Fixture shall withstand loadings of 5,000 lbs. without permanent damage.

Standard ligature-resistant toilet skirt shall extend to floor as close to front of toilet bowl as possible, virtually eliminating open space under the fixture.

Anchoring shall be by standard 6-point system:

(4 in the wall and 2 in the floor): threaded rods, nuts and washers shall be furnished for walls up to 8" thick. Floor anchoring hardware by others.

Unit shall require chase area for installation and maintenance.

**On back to back fixture installations, do not use standard cross type waste fitting: cross flow may result due to blowout jet action. Use sanitary or offset type waste fittings.**

**Note:** Unit will pass a 2" ball.

**Note:** Fixture should only be used with a listed high-efficiency flushometer to ensure the complete system meets the requirements of WaterSense.

#### LIGATURE-RESISTANT DISCLAIMER

This product is designed to minimize ligature points. While every effort has been made to reduce the possibility of ligature points, this product does not eliminate all risks. Ligature-Resistant products by Willoughby Industries are to be used in conjunction with, not as a replacement for, trained professionals.



**WARNING:** Cancer and Reproductive Harm

- [www.P65Warnings.ca.gov](http://www.P65Warnings.ca.gov)



MADE IN THE U.S.A.

visit our website at [www.willoughby-ind.com](http://www.willoughby-ind.com)  
5105 West 78th Street • Indianapolis, IN. 46268  
(317) 875-0830 • Fax: (317) 875-0837 • (800) 428-4065

# MODEL NUMBER AND OPTIONS:

## 1.) Base Model Number:

- ASETWS-1490-FM Ligature-resistant, Rear Mounted, Wall Outlet, Floor Mounted, Siphon Jet Series Toilet

## 2.) Inlet Location:

- BS Back Spud
- TS Top Spud

## 3.) Toilet Seat Height:

- 15" Seat Height (Standard)
- HC 18" Seat Height, Handicap-ADA Compliant

## 4.) Toilet Waste:

- TWE Toilet Waste Extension (Standard)
- TW3 3" Clean-out for (TWE)
- TW5 4" Clean-out for (TWE)
- GWC Gasketed Waste Connection
- PC3 Pinned Clean-out Plug PVC-3"
- PCB3 Pinned Clean-out Plug Brass-3"
- PC4 Pinned Clean-out Plug PVC-4"
- PCB4 Pinned Clean-out Plug Brass-4"
- COH4 4" Clean-out Hook, 4" PVC Plug
- COHB4 4" Clean-out Hook, 4" Brass Plug

## 5.) Waste Coupling for (TWE) Toilet Waste Extension:

- TWC3P Connecting to 3" PVC
- TWC3C Connecting to 3" Cast Iron
- TWC4P Connecting to 4" PVC
- TWC4C Connecting to 4" Cast Iron

## 6.) Flush Valve:

- FV Hydraulic Flush Valve (Includes Actuator)
  - 1.28 GPF HET (4.8 Lpf)     1.6 GPF ULF (6.0 Lpf)
  - 3.5 GPF (13.2 Lpf)\*\*
- EFVP Electronic Flush Valve w/ (PZPB) Ligature-resistant Piezo Push Button (Pick Control)\*
  - 1.28 GPF HET (4.8 Lpf)     1.6 GPF ULF (6.0 Lpf)
  - 3.5 GPF (13.2 Lpf)\*\*
- NFV No Flush Valve (Provided by Others)
  - Special Hole Punching Dimension for ASFVC / ASFVCADA:

## 7.) Other Options:

- T4 Manual Reset Toilet Overflow Preventer, Requires: (FV) Hydraulic Flush Valve and Accessible Chase
- T4A Auto Reset Toilet Overflow Preventer, Requires: (FV) Hydraulic Flush Valve and Accessible Chase
- ET4 Electronic Toilet Overflow Preventer\*, Requires (EFVP), Accessible Chase, & (WUCC-3010) or (WMSII) control
- TFE Toilet Flush Extension (Specify if more than 1")
- FVT Flush Valve Thru Wall Connection (Back Spud Only)
- ASFVC Flush Valve Cover (Ligature-resistant, Top Spud Only)\*\*
- ASFVCADA Ligature-resistant ADA Flush Valve Cover (Top Spud Only)\*\*
- AP Flush Valve Access Panel (Allows access to chase mounted flush valve from fixture side)
- DC Decorator Color (Fixture exterior only - White)
- TF24H Hard-wired Transformer, 110VAC to 24VAC\*
- TF24P Plug-in Transformer, 110VAC to 24VAC\*
- HPS High Polish Seat
- MT Wall Template
- WS Wall Sleeve (Requires Accessible Chase)
- TSC Toilet Shipping Cover
- ASRTH1 Ligature-resistant Wall Mounted Recessed Tissue Holder (Rear Mounted, Requires Accessible Chase)\*\*
- ASRTH2 Ligature-resistant Wall Mounted Recessed Tissue Holder (Front Mounted, 4-1/2" Depth)\*\*
- ASRTH3 Ligature-resistant Wall Mounted Recessed Tissue Holder For 4" Stud Wall (Front Mounted, 3-1/2" Depth)\*\*
- Other \_\_\_\_\_

## 8.) Electronic Controls\* (Must Use Electronic Flush Valve):

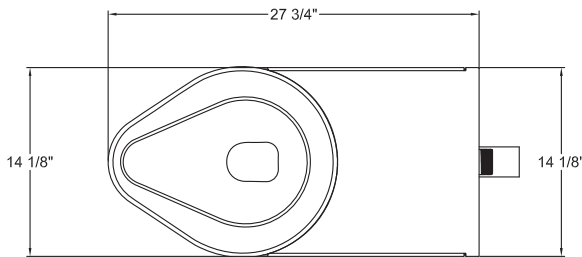
- WUFC-4000     Pneutronic     WMSII
- WUCC-3010 (Select WUCC-3010 Control if pairing a Toilet with a Lavatory or if the Toilet is selected with an (ET4) overflow option)

\*(Req. 110V power through ground fault interrupter (GFCI) receptacle / breaker)

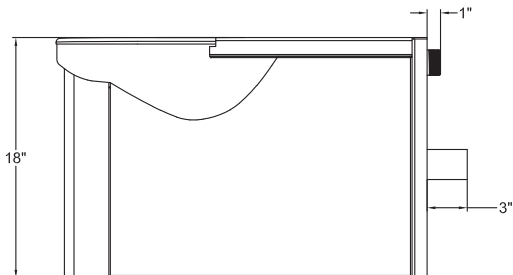
\*\*For replacement fixtures only

Approved For Manufacturing By: \_\_\_\_\_ Date: \_\_\_\_\_ Company: \_\_\_\_\_  
 Wall Thickness: \_\_\_\_\_ Wall Type: \_\_\_\_\_

VERIFY ALL DIMENSIONS WITH FACTORY PRIOR TO ROUGH-IN  
 WILLOUGHBY RESERVES THE RIGHT TO MAKE CHANGES IN DESIGN AND DIMENSIONS WITHOUT FORMAL NOTICE AND WITHOUT INCURRING OBLIGATION.



UNIT SHOWN IS A.D.A. COMPLIANT (HC) MODEL (18" A.F.F. SEAT HEIGHT); SEE A.D.A. NOTE FROM FRONT PAGE



visit our website at [www.willoughby-ind.com](http://www.willoughby-ind.com)  
 5105 West 78th Street • Indianapolis, IN. 46268  
 (317) 875-0830 • Fax: (317) 875-0837 • (800) 428-4065



MADE IN THE U.S.A.