

ASGB Series Ligature-resistant Grab Bars

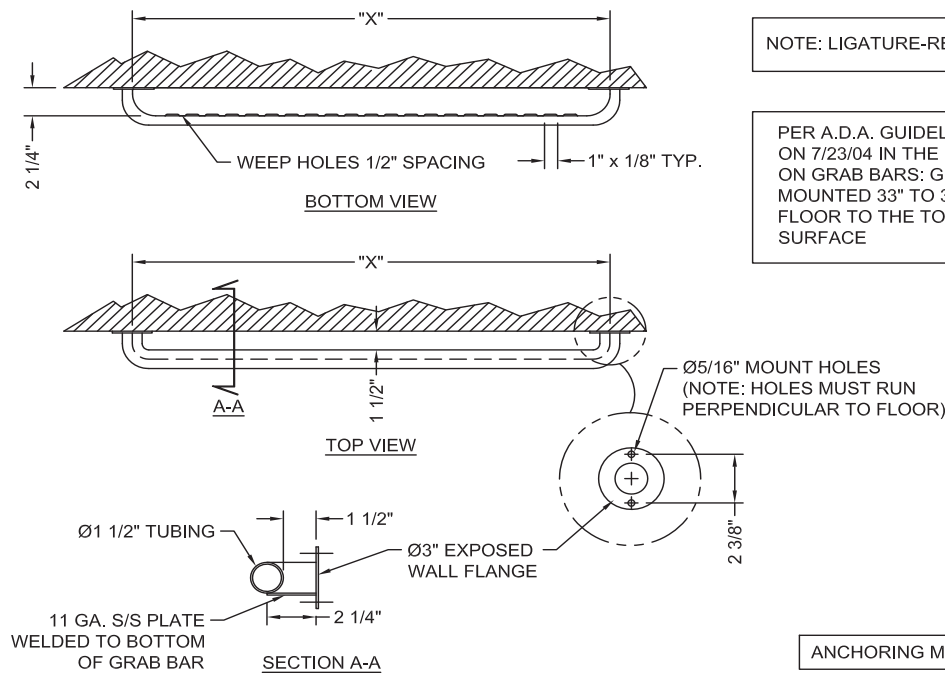
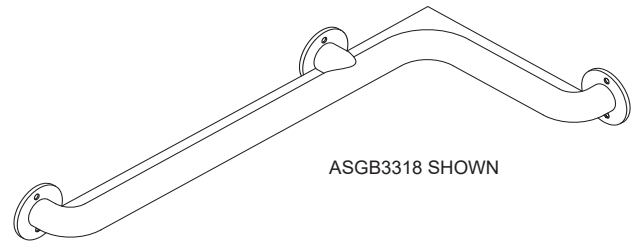
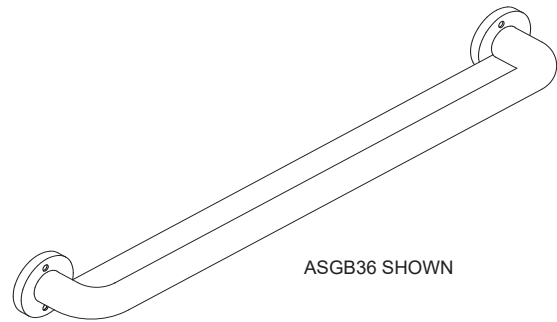
✓	MODEL NUMBER	GRAB BAR LENGTH ("X")
	ASGB18	18"
	ASGB18V	18" (Vertical grab bar w/ no weep holes.)
	ASGB24	24"
	ASGB24V	24" (Vertical grab bar w/ no weep holes.)
	ASGB30	30"
	ASGB36	36"
	ASGB42	42"
	ASGB48	48"
	ASGB3318	33" X 18"

ASGB _____ Ligature-resistant grab bars shall be fabricated from Type 304 stainless steel. Exposed stainless steel surfaces shall be polished to a #3 satin finish. Grab bar shall have 11 gauge stainless steel plate welded to bottom to give fixture a ligature-resistant design. Standard flange configuration is exposed. Grab bar fasteners and wall anchors by others.

Various configurations are available.

LIGATURE-RESISTANT DISCLAIMER

This product is designed to minimize ligature points. While every effort has been made to reduce the possibility of ligature points, this product does not eliminate all risks. Ligature-Resistant products by Willoughby Industries are to be used in conjunction with, not as a replacement for, trained professionals.



visit our website at www.willoughby-ind.com
 5105 West 78th Street • Indianapolis, IN. 46268
 (317) 875-0830 • Fax: (317) 875-0837 • (800) 428-4065



MADE IN THE U.S.A.