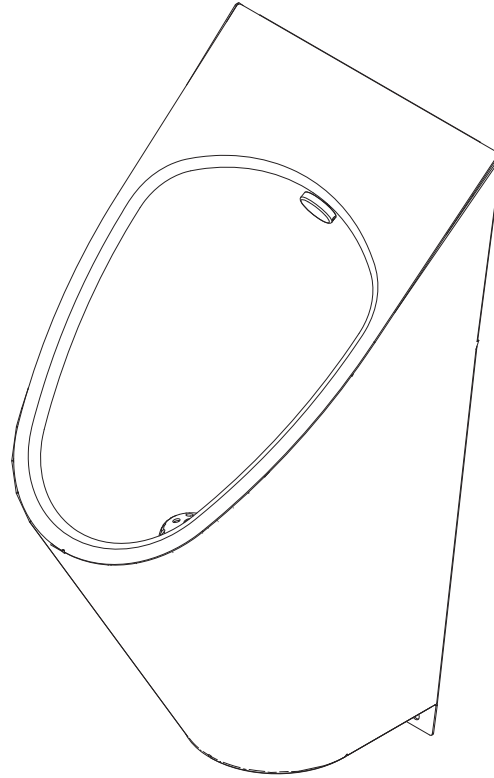




ASUW-1314-HEU-FA Stainless Steel Single Person Front Mounted Ligature-resistant ADA-Compliant Contoured Washout Flush High Efficiency Urinal



(Unit may be shown with optional features)



Recommended Specifications

To specify fixture and accessories, use the Model Number and Options page.
Example: To specify a Stainless Steel, Single Person, Front Mounted, Ligature-resistant, ADA-Compliant, Contoured, Washout Flush, High Efficiency Urinal with back spud, 1/8 GPF, wall template, hydraulic flush valve, and Decorator Color- White
Use the following Willoughby Model Number:
ASUW-1314-HEU-FA-BS-0.125-MT-FV-DC

Stainless Steel, Single Person, Front Mounted, Ligature-resistant, ADA-Compliant, Contoured, Washout Flush, High Efficiency Urinal shall be:

Willoughby Model No. **ASUW-1314-HEU-FA**
(Select from model number and options list on next page)

Fixture is fabricated from all 16 GA., Type 304 stainless steel. The construction shall be all-welded with exposed stainless steel surfaces polished to a satin finish. Contoured interior and exterior surfaces for ease of cleaning.

Standard equipment shall include:

- Machined stainless steel flush nozzle
- Beehive strainer
- Removable P-trap with 1-1/2" F.I.P. waste connection
- 3/4" N.P.T. male inlet connection
- Removable access cover

High Efficiency Urinal shall be washout type requiring 1/8 to 1/2 GPF flush valve and 25 PSI minimum flushing pressure. Trap shall be fully enclosed and maintain a 3" seal.

Mounting hardware by others.

Unit requires no chase area for installation and maintenance unless specified with any options requiring an accessible chase.

Urinals mounted at 17" rim height to comply with ANSI, ADA and UFAS accessibility requirements. Please consult local code as compliance is subject to the interpretation and requirements of the local code authority.

Note: Fixture should only be used with a listed high-efficiency flushometer to ensure the complete system meets the requirements of WaterSense.

LIGATURE-RESISTANT DISCLAIMER

This product is designed to minimize ligature points. While every effort has been made to reduce the possibility of ligature points, this product does not eliminate all risks. Ligature-Resistant products by Willoughby Industries are to be used in conjunction with, not as a replacement for, trained professionals.



WARNING: Cancer and Reproductive Harm

- www.P65Warnings.ca.gov

visit our website at www.willoughby-ind.com
5105 West 78th Street • Indianapolis, IN. 46268
(317) 875-0830 • Fax: (317) 875-0837 • (800) 428-4065



MADE IN THE U.S.A.

MODEL NUMBER AND OPTIONS:

1.) Base Model Number:

ASUW-1314-HEU-FA

Stainless Steel, Single Person, Front Mounted,
Ligature-resistant, ADA-Compliant, Contoured,
Washout Flush, High Efficiency Urinal

5.) Electronic Controls* (Must Use Electronic Flush Valve):

WUFC-4000

Pneutronic

WMSII

*(Req. 110V power through ground fault interrupter (GFCI) receptacle / breaker)

2.) Inlet Location:

BS Back Spud

3.) Flush Valve:

FV Hydraulic Flush Valve (Includes Actuator)

0.5 GPF High Efficiency (HEU) (1.9 Lpf)

0.125 GPF High Efficiency (HEU) (0.4 Lpf)

EFVP Electronic Flush Valve w/ (PZPB) Ligature-resistant Piezo Push Button (Pick Control)*

0.5 GPF High Efficiency (HEU) (1.9 Lpf)

0.125 GPF High Efficiency (HEU) (0.4 Lpf)

NFV No Flush Valve (Provided by Others)

Special Hole Punching Dimension for APFM:

4.) Options:

MT Wall Template

APFM Flush Valve Access Panel Front Mounted (Allows access to chase mounted flush valve from fixture side)

TF24H Hard-wired Transformer, 110VAC to 24VAC*

TF24P Plug-in Transformer, 110VAC to 24VAC*

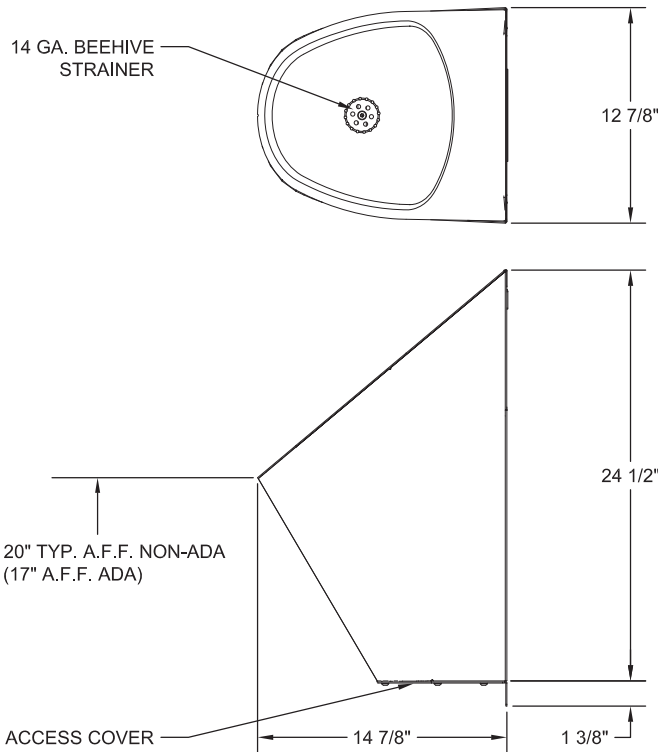
DC Decorator Color (Fixture exterior only - White)

Other _____

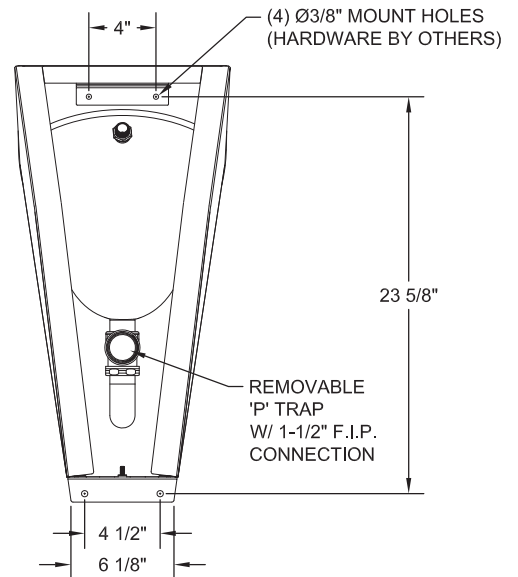
Other _____

Approved For Manufacturing By: _____ Date: _____ Company: _____
Wall Thickness: _____ Wall Type: _____

VERIFY ALL DIMENSIONS WITH FACTORY PRIOR TO ROUGH-IN
WILLOUGHBY RESERVES THE RIGHT TO MAKE CHANGES IN DESIGN AND DIMENSIONS WITHOUT FORMAL NOTICE AND WITHOUT INCURRING OBLIGATION.



IN COMPLIANCE WITH A.D.A. 2010



visit our website at www.willoughby-ind.com
5105 West 78th Street • Indianapolis, IN. 46268
(317) 875-0830 • Fax: (317) 875-0837 • (800) 428-4065



MADE IN THE U.S.A.