



ASWLDR-1922 Stainless Steel Ligature-resistant Front Mounted Behavioral Healthcare Lavatory Powder Coated White



Recommended Specifications

Stainless Steel, Ligature-resistant, Front Mounted, Behavioral Healthcare Lavatory, Powder Coated White shall be: Willoughby Model No. **ASWLDR-1922** (Select from model number and options list on next page)

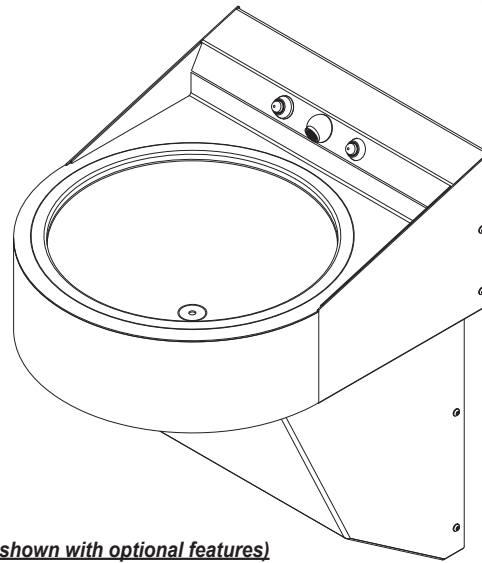
Wall-hung fixture shall accommodate one user and is designed to minimize ligature points. The lavatory will have rounded integral sloped backsplash and rounded integral ligature-resistant side splashes. Fixture shall be fabricated from 14 gauge, type 304 stainless steel. The construction shall be welded with removable trap enclosure. Fixture exterior, including deck, basin, and trap enclosure, shall have an antimicrobial gloss white powder coat enamel finish**. A bare stainless steel lavatory basin with polished satin finish is optional.

The pre-assembled lavatory sprayhead shall be machined of stainless steel and shall be controlled by a push button or infrared sensor. Lavatory sprayhead shall provide non-aerated water stream. Push button shall be machined of stainless steel, shall require less than 5 lbs. of force to activate, and shall be fully rounded to minimize use as a ligature point. Flow restrictor shall maintain flow rates at 0.5 GPM.

ASWLDR-1922 Lavatory shall be supplied with drain tailpiece, integral checkstops, flexible supply hoses, control valves, Class II 120/24 VAC plug-in transformers*. Fixtures with factory valves shall be furnished with thermostatic mixing valve. Operating supply water pressure range is 30-75 psi.

Vandal Resistance/Safety Features:

The sprayhead, push buttons, infrared sensor, slow drain and escutcheon are non-removable and are designed to minimize ligature points. Valve, water supplies and waste connection are concealed within trap enclosure. All exposed fasteners shall be vandal-resistant security type screws.



(Unit may be shown with optional features)

To specify fixture and accessories, use the Model Number and Options page.

Example: To specify a single station Ligature-resistant, Stainless Steel, Behavioral Healthcare Lavatory, Powder Coated White with dual temp. ligature-resistant pneumatic push buttons, and stainless steel lavatory basin

Use the following Willoughby Model Number:

ASWLDR-1922-PBH2-SSB

ADA, TAS, UFAS, and ANSI Compliant:

When the lavatory is mounted at the standard adult rim height it is designed to comply with all applicable ADA, TAS, UFAS, and ANSI Z124.3 and Z124.6 accessibility guidelines.

Mounting:

The lavatory may be surface-mounted as supplied or supported by in-wall plate carriers supplied by others. Proper backing and anchoring hardware for mounting of lavatory provided by others.

Optional Features:

* *Note:* Plug-in transformer must be used with a ground fault interrupter (GFCI) receptacle to prevent possible electrical shock. (Not required on PML valves)

***Antimicrobial properties are built-in to inhibit the growth of bacteria that may affect this product. The antimicrobial properties do not protect users or others against bacteria, viruses, germs, or other disease organisms. Always use good hygienic cleaning practices.*

LIGATURE-RESISTANT DISCLAIMER

This product is designed to minimize ligature points. While every effort has been made to reduce the possibility of ligature points, this product does not eliminate all risks. Ligature-Resistant products by Willoughby Industries are to be used in conjunction with, not as a replacement for, trained professionals.



WARNING: Cancer and Reproductive Harm

- www.P65Warnings.ca.gov



MADE IN THE U.S.A.

visit our website at www.willoughby-ind.com
5105 West 78th Street • Indianapolis, IN. 46268
(317) 875-0830 • Fax: (317) 875-0837 • (800) 428-4065

MODEL NUMBER AND OPTIONS:

1.) Base Model Number:

- ASWLDR-1922 Stainless Steel, Ligature-resistant, Front Mounted, Behavioral Healthcare Lavatory, Powder Coated White

2.) Valve Actuation:

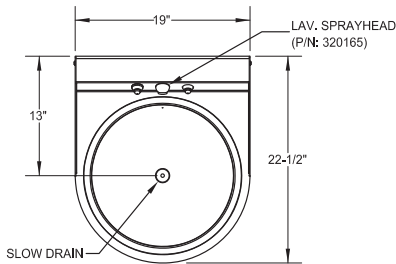
- PBH1 Ligature-resistant Push Button for Single Temperature Pneumatic Metering
- PBH2 Ligature-resistant Push Buttons for Dual Temperature Pneumatic Metering
- PZPB1 Ligature-resistant Piezo Push Button for Single Temperature Electronic (w/ Pneutronic Control)*
- PZPB2 Ligature-resistant Piezo Push Buttons for Dual Temperature Electronic (w/ Pneutronic Control)*
- IR Infrared Sensor, Plug-in*
- BO Infrared Sensor, Battery Operated

3.) Options:

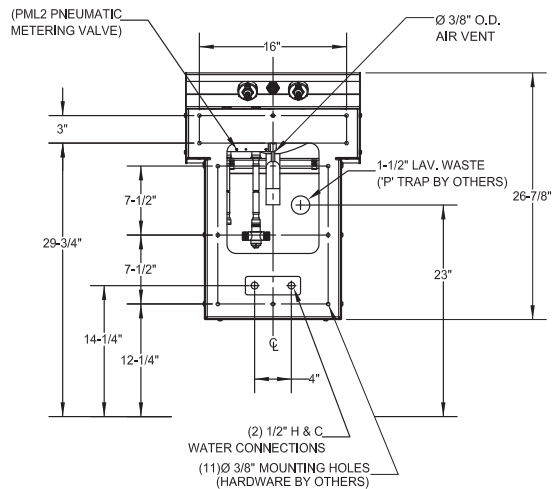
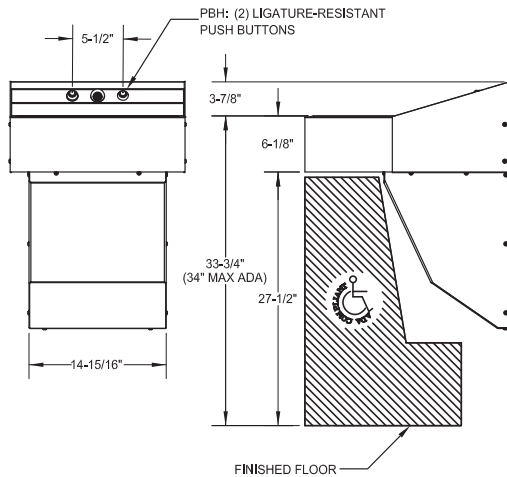
- SSB Stainless Steel Lavatory Basin (basin only not powder coated)
- LDC Less Powder Coat Finish (complete fixture not powder coated)
- TL Less In-line Thermostatic Mixing Valve
- LSH 1.5 gpm Laminar Flow Sprayhead
- Other _____
- Other _____

*(Req. 110V power through ground fault interrupter (GFCI) receptacle)

Approved For Manufacturing By: _____ Date: _____ Company: _____
 Wall Thickness: _____ Wall Type: _____



VERIFY ALL DIMENSIONS WITH FACTORY PRIOR TO ROUGH-IN
 WILLOUGHBY RESERVES THE RIGHT TO MAKE CHANGES IN DESIGN AND DIMENSIONS WITHOUT FORMAL NOTICE AND WITHOUT INCURRING OBLIGATION.



visit our website at www.willoughby-ind.com
 5105 West 78th Street • Indianapolis, IN. 46268
 (317) 875-0830 • Fax: (317) 875-0837 • (800) 428-4065



MADE IN THE U.S.A.