

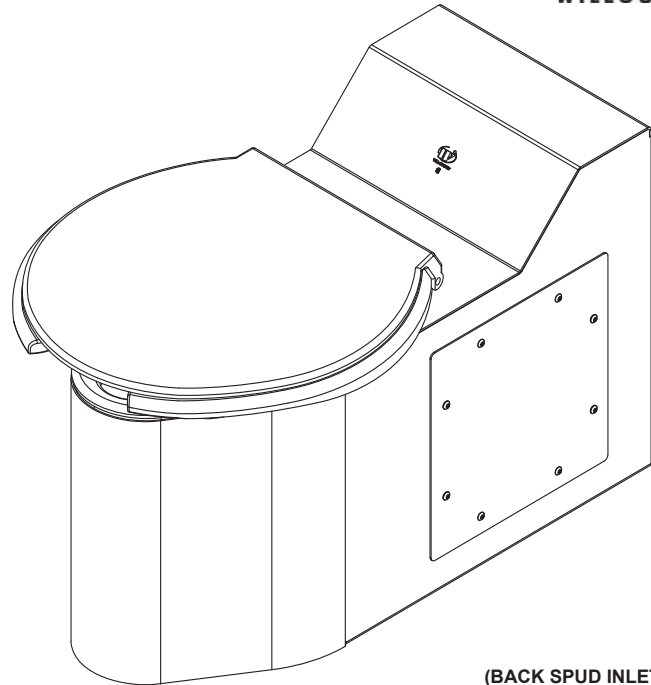
BETF-1490-FM-FA Bariatric 4 3/8" Rough-In Front Mounted Floor Outlet Floor Mounted Siphon Jet Series Toilet



Certified by
CSA Group
WaterSense certified only for use
with a certified high-efficiency flushometer



IN COMPLIANCE
WITH A.D.A. 2010



(BACK SPUD INLET SHOWN)

To specify fixture and accessories, use the Model Number and Options page.

Example: To specify a , 4 3/8" Rough-In Front Access, Floor Outlet, Siphon Jet Series Bariatric Toilet with back spud, flush valve and wall mounted recessed tissue holder

Use the following Willoughby Model Number:

BETF-1490-FM-FA-BS-FV-RTH2

Recommended Specifications

Bariatric, 4 3/8" Rough-In, Front Mounted, Floor Outlet, Floor Mounted Siphon Jet Series Toilet shall be:

Willoughby Model No. **BETF-1490-FM-FA**

(Select from model number and options list on next page)

Fixture shall be fabricated from heavy gauge, Type 304 stainless steel. The construction shall be all-welded. Fixture exterior shall have an antimicrobial gloss white powder coat enamel finish*. Toilet bowl interior shall have a sanitary bead-blast stainless steel finish.

Standard toilet shall include: elongated toilet bowl with integral contoured seat, integral crevice-free self-draining flushing rim with positive afterfill and fully enclosed 2-3/8" O.D. trap which shall maintain a minimum 3-1/2" seal. Toilet shall be siphon jet type which requires 35 psi minimum flushing pressure. Hinged toilet seat shall have open front with cover and be rated for a 1200 pound weight capacity. Toilet seat hinges are stainless steel, seat and cover shall be white in color.

The fixture (less hinged seat) shall withstand loadings up to 2000 pounds with no measurable deflection and loadings up to 5000 pounds with no permanent damage.

Anchoring shall be from the front thru (2) 12" x 12" removable access panels. The fixture is provided with four (4) 3/4" wall carrier mounting holes and one (1) floor mounted 'Z' clip mounting bracket. Wall and floor anchoring hardware is by others.

Model shall meet the requirements of ASME A112.19.3/CSA B45.4.

Note: Unit will pass a 2" ball.

Note: Fixture should only be used with a listed high-efficiency flushometer to ensure the complete system meets the requirements of WaterSense.

*Antimicrobial properties are built-in to inhibit the growth of bacteria that may affect this product. The antimicrobial properties do not protect users or others against bacteria, viruses, germs, or other disease organisms. Always use good hygienic cleaning practices.



WARNING: Cancer and Reproductive Harm

- www.P65Warnings.ca.gov

visit our website at www.willoughby-ind.com
5105 West 78th Street • Indianapolis, IN. 46268
(317) 875-0830 • Fax: (317) 875-0837 • (800) 428-4065



MADE IN THE U.S.A.

MODEL NUMBER AND OPTIONS:

1.) Base Model Number:

BETF-1490-FM-FA Bariatric, 4 3/8" Rough-In, Front Mounted, Floor Outlet, Floor Mounted Siphon Jet Series Toilet

2.) Inlet Location:

- BS Back Spud
- TS Top Spud

3.) Flush Valve GPF's (Must Specify):

- FV Hydraulic Flush Valve (Includes Actuator)
 - 1.28 GPF HET (4.8 Lpf) 1.6 GPF ULF (6.0 Lpf) 3.5 GPF (13.2 Lpf)**
- NFV No Flush Valve (Provided by Others)
 - Special Hole Punching Dimension: _____

4.) Options:

- BL Bedpan Lugs
- SLL Seat Less Lid
- ASFVCADA Ligature-resistant ADA Flush Valve Cover (Top Spud Only)*
- APFM Flush Valve Access Panel Front Mounted (Allows access to chase mounted flush valve from fixture side)
- MT Metal Template
- RTH2 Front Access Wall Mounted Recessed Tissue Holder
- Other: _____
- Other: _____

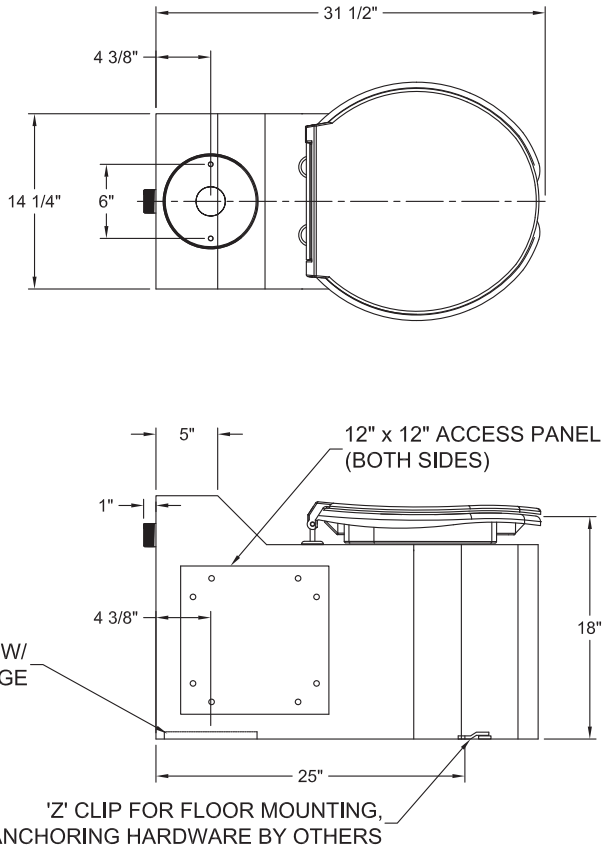
***LIGATURE-RESISTANT DISCLAIMER**

This product is designed to minimize ligature points. While every effort has been made to reduce the possibility of ligature points, this product does not eliminate all risks. Ligature-Resistant products by Willoughby Industries are to be used in conjunction with, not as a replacement for, trained professionals.

**For replacement fixtures only

Approved For Manufacturing By: _____ Date: _____ Company: _____
 Wall Thickness: _____ Wall Type: _____

VERIFY ALL DIMENSIONS WITH FACTORY PRIOR TO ROUGH-IN
 WILLOUGHBY RESERVES THE RIGHT TO MAKE CHANGES IN DESIGN AND DIMENSIONS WITHOUT FORMAL NOTICE AND WITHOUT INCURRING OBLIGATION.



visit our website at www.willoughby-ind.com
 5105 West 78th Street • Indianapolis, IN. 46268
 (317) 875-0830 • Fax: (317) 875-0837 • (800) 428-4065



MADE IN THE U.S.A.