

CWSMS-ADA Series ADA-Compliant Surface Mounted Wall Shower



Recommended Specifications

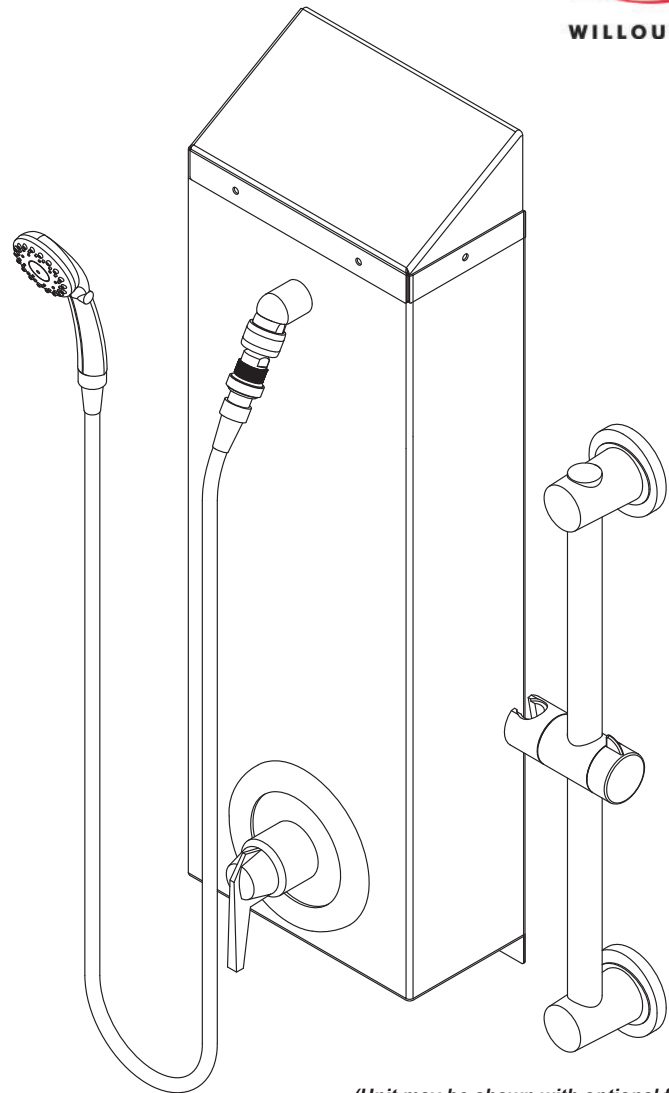
ADA-Compliant, Surface Mounted Wall Shower shall be:
Willoughby Model No. **CWSMS-ADA**
(Select from model number and options list on next page)

Shower panel shall be fabricated from 18 gauge, Type 304 stainless steel with exposed stainless surfaces polished to a #4 satin finish. Sloped top panel and bottom panel are riveted onto the wall shower.

Standard equipment shall include:

- Shower valves (from Valve Selection options list)
- (FX) Hand Held Flexshower head
- Z-clip mounting bracket

Anchoring shall be by Z-clip and bottom flange with anchoring hardware by others. Shower unit shall be factory assembled, tested for proper operation, and ready for installation by a contractor. Unit requires no chase area for installation and maintenance.



(Unit may be shown with optional features)

To specify fixture and accessories, use the Model Number and Options page.
Example: To specify an ADA-Compliant, Surface Mounted Wall Shower with pressure-balancing valve, 2.5 GPM flow rate, standard FX Flexshower head, and 24" Flexshower slide bar
Use the following Willoughby Model Number:
CWSMS-ADA-TPV-2.5-FX-SLB24



WARNING: Cancer and Reproductive Harm

- www.P65Warnings.ca.gov

visit our website at www.willoughby-ind.com
5105 West 78th Street • Indianapolis, IN. 46268
(317) 875-0830 • Fax: (317) 875-0837 • (800) 428-4065



MADE IN THE U.S.A.

MODEL NUMBER AND OPTIONS:

1.) Base Model Number:

CWSMS-ADA ADA-Compliant, Surface Mounted Wall Shower

2.) Valve Selection:

NV No Valve (Provided by Others)
 Special Hole Punching Dimension:

- PML1 Single Temp. Pneumatic Metering
- PML2 Dual Temp. Pneumatic Metering
- E1L1 Single Temp. Electronic (Pick Control)*
- E1L2 Dual Temp. Electronic (Pick Control)*
- PBV Pressure-Balancing Mixing Valve
- TPV Temperature/Pressure-Balancing Mixing Valve
- TPLR Ligature-resistant Temperature/Pressure-Balancing Mixing Valve

3.) Push Button Selection:

Pneumatic or Electronic Valves Only:

- PBH Ligature-resistant Pneumatic Push Buttons**
- PZPB Ligature-resistant Piezo Electronic Push Buttons*/**

4.) Flow Rates:

2.5 GPM (Standard) 2.0 GPM 1.5 GPM

5.) Electronic Control* (Must Use Electronic Push Button):

WUSC-2200 WUSC-2400 Pneutronic

6.) Shower Head Selection:

FX Hand-held Flexshower Head (w/ quick disconnect, vacuum breaker, and (1) hook)

7.) Other Options:

- TF24H Hard-wired Transformer, 110VAC to 24VAC* (Standard)
- TF24P Plug-in Transformer, 110VAC to 24VAC*
- TMV Inline Thermostatic Mixing Valve
- HL Hi-Lo (2 Hooks For Flexshower, Wall Mounted)
- SLB24 24" Adjustable Slide Bar (for Flexshower)
- PS Pipe Shroud (Specify Length): _____
 (Pipe Shroud option changes Riveted Sloped Top to Flat Top)
- Other _____
- Other _____

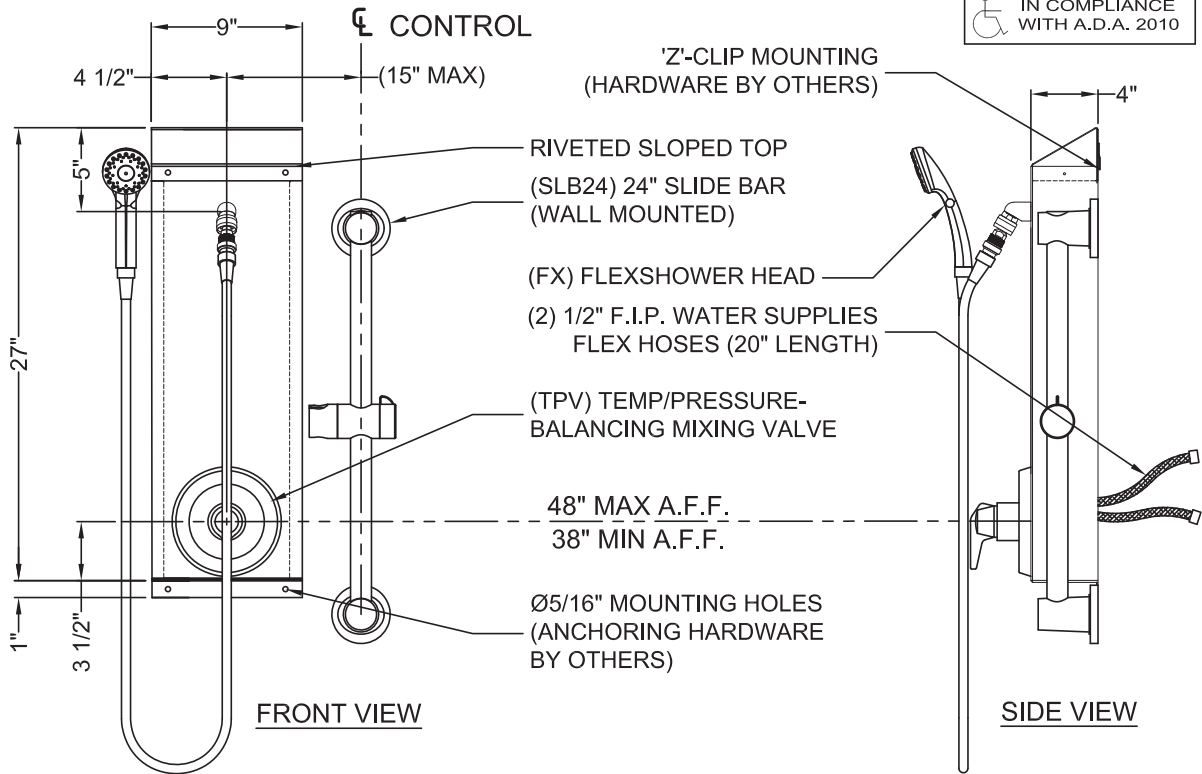
*(Req. 110V power through ground fault interrupter (GFCI) receptacle / breaker)

****LIGATURE-RESISTANT DISCLAIMER**

This product is designed to minimize ligature points. While every effort has been made to reduce the possibility of ligature points, this product does not eliminate all risks. Ligature-Resistant products by Willoughby Industries are to be used in conjunction with, not as a replacement for, trained professionals.

Approved For Manufacturing By: _____ Date: _____ Company: _____
 Wall Thickness: _____ Wall Type: _____

VERIFY ALL DIMENSIONS WITH FACTORY PRIOR TO ROUGH-IN
 WILLOUGHBY RESERVES THE RIGHT TO MAKE CHANGES IN DESIGN AND DIMENSIONS WITHOUT FORMAL NOTICE AND WITHOUT INCURRING OBLIGATION.



visit our website at www.willoughby-ind.com
 5105 West 78th Street • Indianapolis, IN. 46268
 (317) 875-0830 • Fax: (317) 875-0837 • (800) 428-4065



MADE IN THE U.S.A.