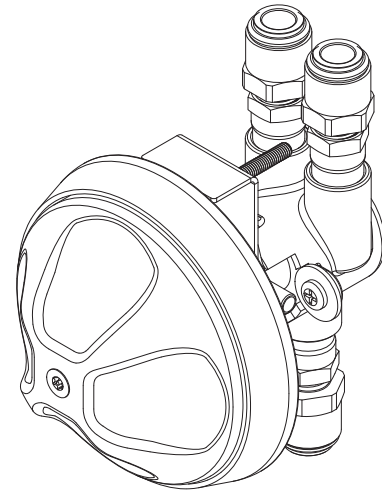


DVLR Ligature-resistant Diverter Valve

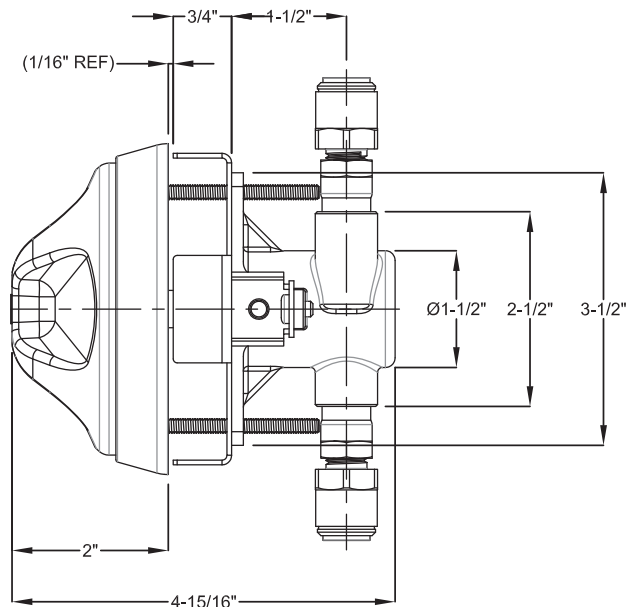
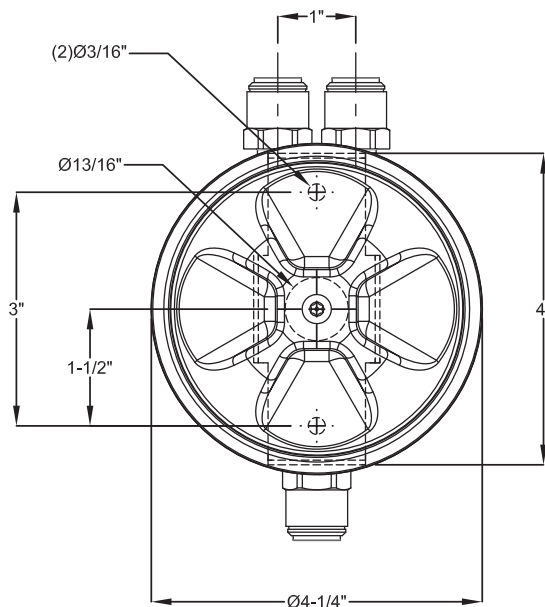


Recommended Specifications

Willoughby model DVLR Ligature-resistant, Diverter Valve shall be chrome-plated, die-cast construction. The vandal resistant shower diverter valve shall be rear mounted with one safety screw fastener visible. The shower diverter valve shall have a recommended operational water pressure of 35 psi minimum and 70 psi maximum. The inlet connection shall be 3/8" P.T.C. and the outlet connections shall be 3/8" P.T.C.

LIGATURE-RESISTANT DISCLAIMER

This product is designed to minimize ligature points. While every effort has been made to reduce the possibility of ligature points, this product does not eliminate all risks. Ligature-Resistant products by Willoughby Industries are to be used in conjunction with, not as a replacement for, trained professionals.



WARNING: Cancer and Reproductive Harm

- www.P65Warnings.ca.gov

visit our website at www.willoughby-ind.com
5105 West 78th Street • Indianapolis, IN. 46268
(317) 875-0830 • Fax: (317) 875-0837 • (800) 428-4065



MADE IN THE U.S.A.