

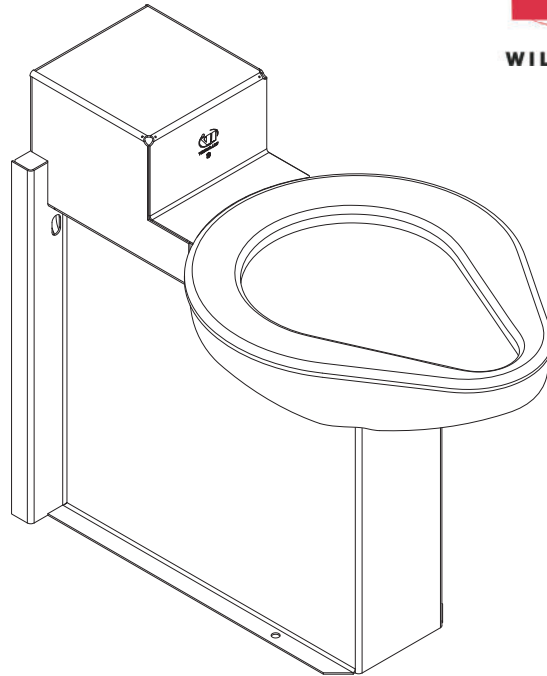


## ETW-1490-FM-FA Stainless Steel Front Mounted Wall Outlet Floor Mounted Blowout Series Toilet



**IN COMPLIANCE  
WITH A.D.A. 2010**

**\*\* USE "HC" SUFFIX FOR  
18" A.F.F. SEAT HEIGHT**



**(1.6 GPF UNIT W/ 15" A.F.F.  
SEAT HEIGHT\* SHOWN)  
(Unit may be shown with optional features)**

To specify fixture and accessories, use the Model Number and Options page.

Example: To specify a Front Access, Stainless Steel, Floor Mounted, Blowout Series Toilet with back spud, standard 15" seat height, 1.6 GPF, gasketed waste connection, hydraulic flush valve, flush valve connection, high polish seat, wall template, and toilet shipping cover

Use the following Willoughby Model Number:  
**ETW-1490-FM-FA-BS-1.6-GWC-FV-FVT-HPS-MT-TSC**

## Recommended Specifications

Stainless Steel, Front Mounted, Wall Outlet, Floor Mounted, Blowout Series Toilet shall be: Willoughby Model No. **ETW-1490-FM-FA** (Select from model number and options list on next page)

Fixture shall be fabricated from 14 gauge, type 304 stainless steel. The construction shall be all welded, with exposed stainless surfaces polished to a #4 satin finish.

Standard toilet shall include:

- Elongated toilet bowl with contoured seat
- Integral crevice-free self-draining flushing rim with positive afterfill
- Fully enclosed 2-3/8" O.D. trap which shall maintain a minimum 2" seal and pass a 2" ball
- Bead blast finish bowl interior

Toilet shall be blowout type, requiring 35 PSI minimum flushing pressure. Model shall meet the requirements of ASME A112.19.3/CSA B45.4.

Fixture shall withstand loadings of 5,000 lbs. without permanent damage.

Anchoring shall be through the front and through the floor (anchoring hardware provided by others).

Unit requires no chase area for installation and maintenance unless specified with any Toilet Waste Extension options or Toilet Overflow Preventer options.

**On back to back fixture installations, do not use standard cross type waste fitting: cross flow may result due to blowout jet action. Use sanitary or offset type waste fittings.**

**Note:** Unit will pass a 2" ball.

**Note:** Fixture should only be used with a listed high-efficiency flushometer to ensure the complete system meets the requirements of WaterSense.



**WARNING:** Cancer and Reproductive Harm

- [www.P65Warnings.ca.gov](http://www.P65Warnings.ca.gov)

visit our website at [www.willoughby-ind.com](http://www.willoughby-ind.com)  
5105 West 78th Street • Indianapolis, IN. 46268  
(317) 875-0830 • Fax: (317) 875-0837 • (800) 428-4065



MADE IN THE U.S.A.

# MODEL NUMBER AND OPTIONS:

## 1.) Base Model Number:

- ETW-1490-FM-FA      Stainless Steel, Front Mounted, Wall Outlet, Floor Mounted, Blowout Series Toilet

## 2.) Inlet Location:

- BS      Back Spud
- TS      Top Spud

## 3.) Toilet Seat Height:

- 15" Seat Height (Standard)
- HC      18" Seat Height, Handicap-ADA Compliant

## 4.) Toilet Waste:

- GWC      Gasketed Waste Connection (Standard)
- PC3      Pinned Clean-out Plug PVC-3"
- PCB3      Pinned Clean-out Plug Brass-3"
- PC4      Pinned Clean-out Plug PVC-4"
- PCB4      Pinned Clean-out Plug Brass-4"

## 5.) Flush Valve:

- FV      Hydraulic Flush Valve (Includes Actuator)
  - 1.28 GPF HET (4.8 Lpf)     1.6 GPF ULF (6.0 Lpf)
  - 3.5 GPF (13.2 Lpf)\*\*\*
- EFVP      Electronic Flush Valve w/ (PZPB) Ligature-resistant Piezo Push Button (Pick Control)\*\*
  - 1.28 GPF HET (4.8 Lpf)     1.6 GPF ULF (6.0 Lpf)
  - 3.5 GPF (13.2 Lpf)\*\*\*
- RFVB      Remote Flush Valve with Box
  - 1.28 GPF HET (4.8 Lpf)     1.6 GPF ULF (6.0 Lpf)
  - 3.5 GPF (13.2 Lpf)\*\*\*
- REFVB      Remote Electronic Flush Valve with Box\*
  - 1.28 GPF HET (4.8 Lpf)     1.6 GPF ULF (6.0 Lpf)
  - 3.5 GPF (13.2 Lpf)\*\*\*
- NFV      No Flush Valve (Provided by Others)
  - Special Hole Punching Dimension for APFM / APFMD / ASFVC / ASFVCADA:

## 6.) Other Options:

- T4      Manual Reset Toilet Overflow Preventer, Requires: Accessible (FV) Hydraulic Flush Valve
- ET4      Electronic Toilet Overflow Preventer\*, Requires: Accessible (EFVP), & (WUCC-3010) or (WMSII) control
- ASFVC      Flush Valve Cover (Ligature-resistant, Top Spud Only)\*\*
- ASFVCADA      Ligature-resistant ADA Flush Valve Cover (Top Spud Only)\*\*
- APFM      Flush Valve Access Panel Front Mounted (Allows access to concealed in-wall flush valve. If BS & HC options are selected, the APFMD will be required.)
- APFMD      Flush Valve Access Dual Panel Front Mounted (Allows access to concealed in-wall flush valve from fixture side)
- HS      Hinged White Plastic Seat (No Cover, not recommended for Maximum Security/Ligature-resistant use)
- DC      Decorator Color (Fixture exterior only - White)
- TF24H      Hard-wired Transformer, 110VAC to 24VAC\*
- TF24P      Plug-in Transformer, 110VAC to 24VAC\*
- HPS      High Polish Seat
- MT      Wall Template
- TSC      Toilet Shipping Cover
- RTH1      Wall Mounted Recessed Tissue Holder (Rear Mounted, Requires Accessible Chase)
- RTH2      Wall Mounted Recessed Tissue Holder (Front Mounted, 4-1/2" Depth)
- Other      \_\_\_\_\_

## 7.) Electronic Controls\* (Must Use Electronic Flush Valve):

- WUFC-4000       Pneutronic       WMSII
- WUCC-3010 (Select WUCC-3010 Control if pairing a Toilet with a Lavatory or if the Toilet is selected with an (ET4) overflow option)

\*(Req. 110V power through ground fault interrupter (GFCI) receptacle / breaker)

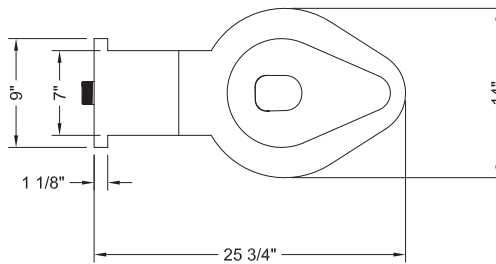
### \*\*LIGATURE-RESISTANT DISCLAIMER

This product is designed to minimize ligature points. While every effort has been made to reduce the possibility of ligature points, this product does not eliminate all risks. Ligature-Resistant products by Willoughby Industries are to be used in conjunction with, not as a replacement for, trained professionals.

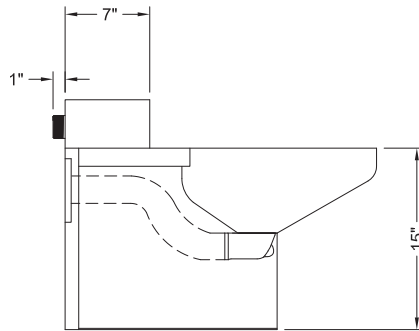
\*\*\*For replacement fixtures only

Approved For Manufacturing By: \_\_\_\_\_ Date: \_\_\_\_\_ Company: \_\_\_\_\_  
 Wall Thickness: \_\_\_\_\_ Wall Type: \_\_\_\_\_

VERIFY ALL DIMENSIONS WITH FACTORY PRIOR TO ROUGH-IN  
 WILLOUGHBY RESERVES THE RIGHT TO MAKE CHANGES IN DESIGN AND DIMENSIONS WITHOUT FORMAL NOTICE AND WITHOUT INCURRING OBLIGATION.



PLAN VIEW



SIDE VIEW

visit our website at [www.willoughby-ind.com](http://www.willoughby-ind.com)  
 5105 West 78th Street • Indianapolis, IN. 46268  
 (317) 875-0830 • Fax: (317) 875-0837 • (800) 428-4065



MADE IN THE U.S.A.