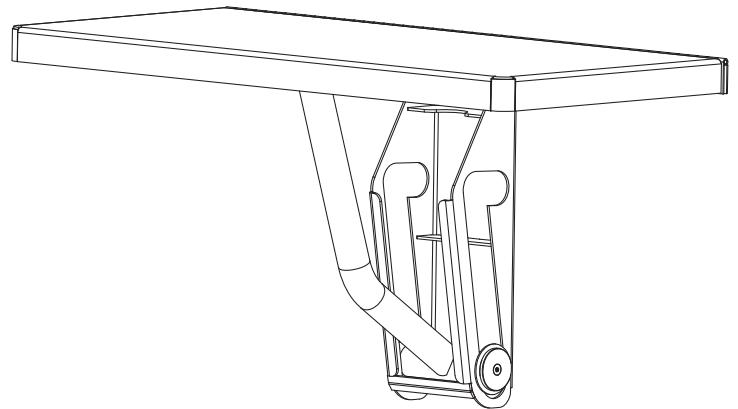


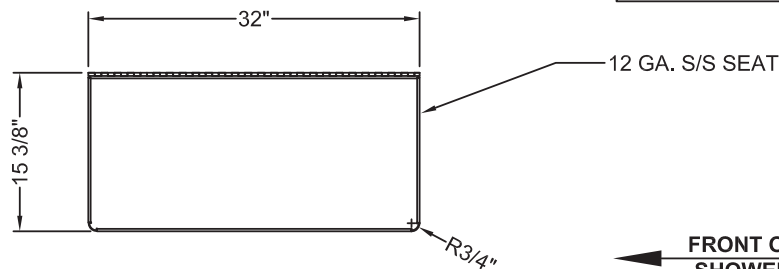
FSS Series Folding Shower Seat

FSS folding shower seat shall be fabricated from Type 304 stainless steel. Seating surface and flanges polished to a #3 satin finish. Folding shower seat provides sturdy seating for users of handicapped shower facilities and can be easily folded up when not in use.

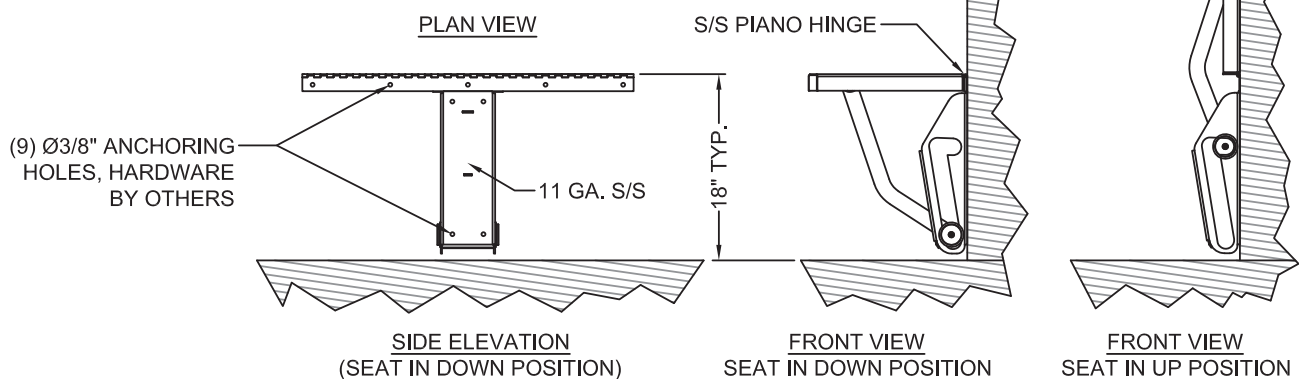
Wall anchors and fasteners by others.



NOTE: FOLDING SEAT MUST MOUNT 1" OUT FROM BACK WALL TO AVOID GRAB BAR INTERFERENCE



← FRONT OF SHOWER



WARNING: Cancer and Reproductive Harm

- www.P65Warnings.ca.gov

visit our website at www.willoughby-ind.com
5105 West 78th Street • Indianapolis, IN. 46268
(317) 875-0830 • Fax: (317) 875-0837 • (800) 428-4065



MADE IN THE U.S.A.