

HB Series Hose Box

✓	MODEL NUMBER	DESCRIPTION
	HB-8140	SINGLE TEMPERATURE HOSE BOX - WITH WALL FLANGE, LESS DOOR, LESS VACUUM BREAKER
	HB-8141	SINGLE TEMPERATURE HOSE BOX - WITH WALL FLANGE, LESS DOOR, WITH VACUUM BREAKER
	HB-8145	DUAL TEMPERATURE HOSE BOX - WITH WALL FLANGE, LESS DOOR, LESS VACUUM BREAKER
	HB-8146	DUAL TEMPERATURE HOSE BOX - WITH WALL FLANGE, LESS DOOR, WITH VACUUM BREAKER
	HB-8150	SINGLE TEMPERATURE HOSE BOX - WITH WALL FLANGE, WITH DOOR, LESS VACUUM BREAKER
	HB-8151	SINGLE TEMPERATURE HOSE BOX - WITH WALL FLANGE, WITH DOOR, WITH VACUUM BREAKER
	HB-8155	DUAL TEMPERATURE HOSE BOX - WITH WALL FLANGE, WITH DOOR, LESS VACUUM BREAKER
	HB-8156	DUAL TEMPERATURE HOSE BOX - WITH WALL FLANGE, WITH DOOR, WITH VACUUM BREAKER
	HB-8180	SINGLE TEMPERATURE HOSE BOX - WITH WASTE, WITH WALL FLANGE, LESS DOOR, LESS VACUUM BREAKER
	HB-8181	SINGLE TEMPERATURE HOSE BOX - WITH WASTE, WITH WALL FLANGE, LESS DOOR, WITH VACUUM BREAKER
	HB-8185	DUAL TEMPERATURE HOSE BOX - WITH WASTE, WITH WALL FLANGE, LESS DOOR, LESS VACUUM BREAKER
	HB-8186	DUAL TEMPERATURE HOSE BOX - WITH WASTE, WITH WALL FLANGE, LESS DOOR, WITH VACUUM BREAKER

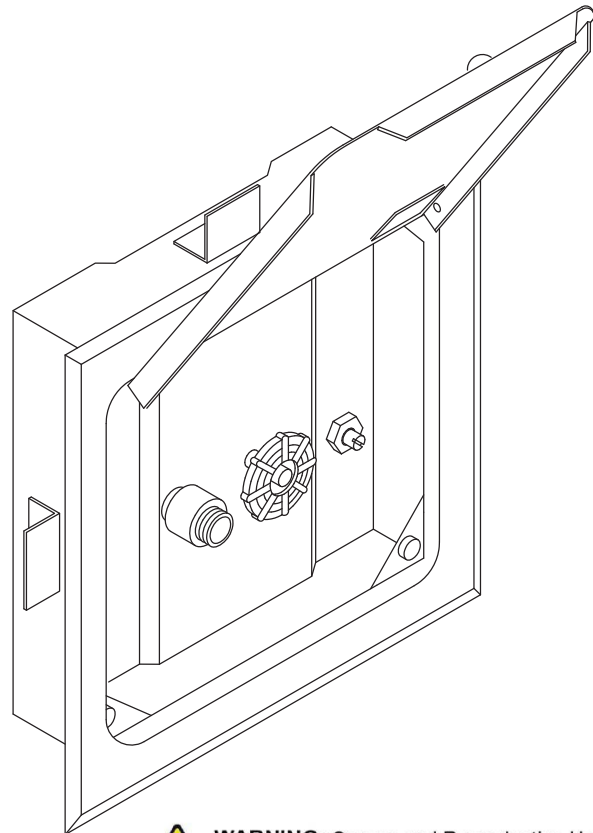
Recommended Specifications

HB Series Hose Box shall be:
Willoughby Model No. **HB-**_____ (Select from model number table shown above)

Recessed box, wall flange, waste outlet, and door (if applicable) shall be fabricated from T304 stainless steel with exposed surfaces polished to a satin finish. The wall flange shall mount flush to the supporting finished wall.

Standard equipment shall include:
- 1/2" nominal brass valves and fittings
- screwdriver stops on the inlets

Inlets shall be 1/2" F.I.P. and outlets are 3/4" M.G.H.T.



WARNING: Cancer and Reproductive Harm

- www.P65Warnings.ca.gov

visit our website at www.willoughby-ind.com
5105 West 78th Street • Indianapolis, IN. 46268
(317) 875-0830 • Fax: (317) 875-0837 • (800) 428-4065



MADE IN THE U.S.A.

