

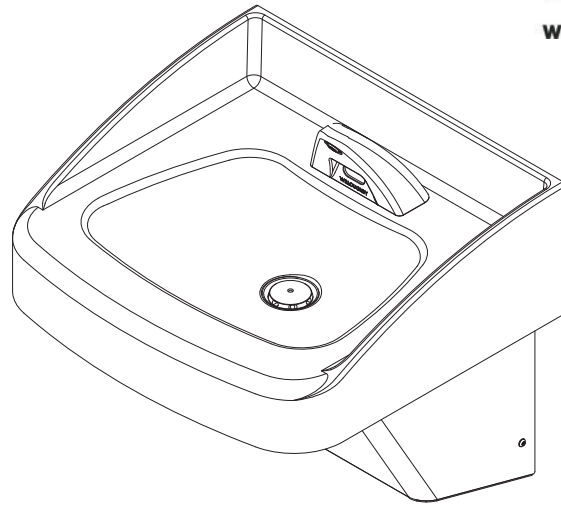


LRBHL-2220 Ligature-resistant Solid Surface Behavioral Healthcare Lavatory (For Deck Mounted Faucet)

PATENTED: D956,187



IN COMPLIANCE
WITH A.D.A. 2010
& CBC 2016, 11B



(Unit may be shown with optional features)

To specify fixture and accessories, use the Model Number and Options page.

Example: To specify a single station Ligature-resistant, Solid Surface, Behavioral Healthcare Lavatory, with a Ligature-resistant Electronic Infrared Faucet, in Sandstone color

Use the following Willoughby Model Number:

LRBHL-2220-LRFC-IR-SS

Recommended Specifications

Ligature-resistant, Solid Surface, Behavioral Healthcare, Lavatory shall be: Willoughby Model No. **LRBHL-2220**
(Select from model number and options list on next page)

Wall-hung fixture shall accommodate one user and is designed to minimize ligature points. The lavatory deck bowl is constructed of Aquasurf® molded cast polymer densified solid surface material composed of polyester/acrylic resin, UV stabilizer, aluminum trihydrate, mineral fillers and antimicrobial additive**. Lavatory shall be contoured to minimize its use as a ligature point.

LRBHL-2220 Lavatory shall be supplied with ligature-resistant drain, and tailpiece. Fixtures with optional LRFc faucet shall be furnished with integral checkstop, flexible supply hoses, control valve, and valve power supply if applicable. Optional in-line thermostatic mixing valve is available. Operating supply water pressure range is 30-75 psi.

The LRFc lavatory faucet shall be fixed type, constructed of cast 304 stainless steel with a polished exterior finish. Lavatory faucet shall provide non-aerated laminar flow and shall be contoured to minimize use as a ligature point. Flow regulator shall maintain flow rates at 0.5 GPM. Pedestal back plate shall be welded stainless steel constructed of type 304 stainless steel. Exposed stainless steel surfaces shall be polished to a #4 satin finish.

Vandal Resistance/Safety Features:

The faucet and drain are non-removable and are designed to minimize ligature points. Valves, water supplies and waste connection are concealed within trap enclosure. All exposed fasteners shall be vandal-resistant security type screws. The Aquasurf® solid surface material is resistant to stains, impact and burns. Surface damage can be easily repaired with everyday cleansers and/or fine grit abrasives.

ADA, TAS, UFAS, and ANSI Compliant:

When the lavatory is mounted at the standard adult rim height it is designed to comply with all applicable ADA, TAS, UFAS, CBC, and ANSI Z124.3 and Z124.6 accessibility guidelines.

Mounting:

The lavatory may be surface-mounted as supplied or supported by optional in-wall carrier (MC) or carrier supplied by others (in-wall plate or arm carrier). Proper backing and anchoring hardware for mounting of lavatory provided by others.

Optional Features:

Note: Plug-in transformer must be used with a ground fault interrupter (GFCI) receptacle to prevent possible electrical shock.

LIGATURE-RESISTANT DISCLAIMER

This product is designed to minimize ligature points. While every effort has been made to reduce the possibility of ligature points, this product does not eliminate all risks. Ligature-Resistant products by Willoughby Industries are to be used in conjunction with, not as a replacement for, trained professionals.



WARNING: Cancer and Reproductive Harm

- www.P65Warnings.ca.gov



MADE IN THE U.S.A.

visit our website at www.willoughby-ind.com
5105 West 78th Street • Indianapolis, IN. 46268
(317) 875-0830 • Fax: (317) 875-0837 • (800) 428-4065

