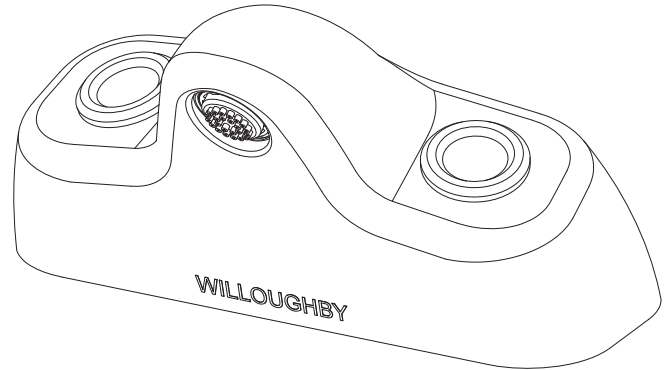




LRFC-PZPB Ligature-resistant Piezo Electronic Push Button Faucet (4" Center Set)



Recommended Specifications

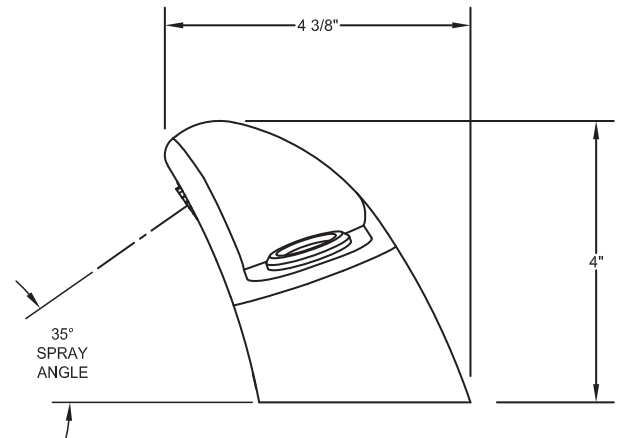
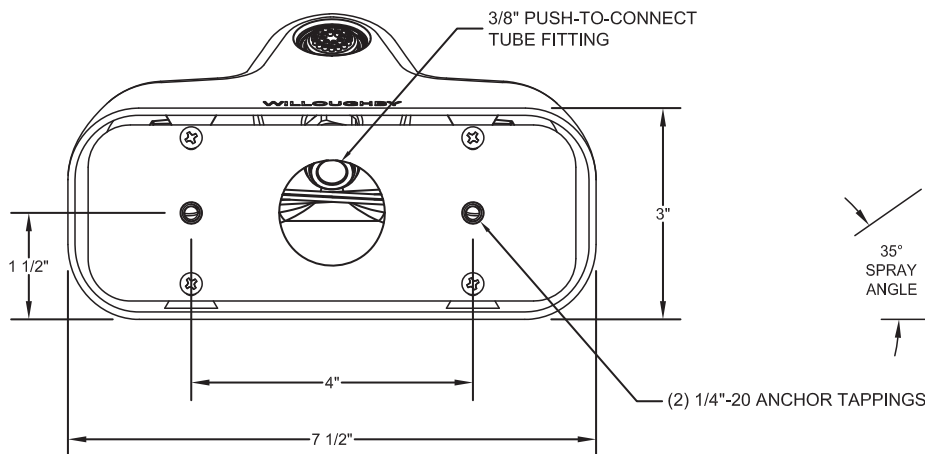
Willoughby model LRFC-PZPB Ligature-resistant, Electronic Push Button Faucet shall be constructed of cast 304 stainless steel with a polished exterior finish. The ligature-resistant faucet shall be surface mounted with no visible fasteners. The faucet shall have a 35° angle of spray, with 0.5 GPM maximum flow rate. The LRFC-PZPB features a concealed vandal resistant removable insert. The insert can be serviced and installed with a specifically designed key tool. The insert provides a spray stream with smart lime cleaning technology. The LRFC-PZPB has a contoured design to minimize any potential ligature points. The faucet is supplied with an electronic solenoid valve, ligature-resistant electronic Piezo push buttons, connection tube, electronic controllers*, plug-in transformer and cable extensions. Plug-in transformer req. 110V power through ground fault interrupter (GFCI) receptacle.

Faucet conforms to ADA requirements for accessibility, when mounted properly on fixture. Consult local codes for ADA requirements as codes and interpretations may vary.

OPTIONS:

- TMV In-line Thermostatic Mixing Valve

*See Willoughby Pneutronic All-Purpose Valve Controller spec page for operation.



LIGATURE-RESISTANT DISCLAIMER

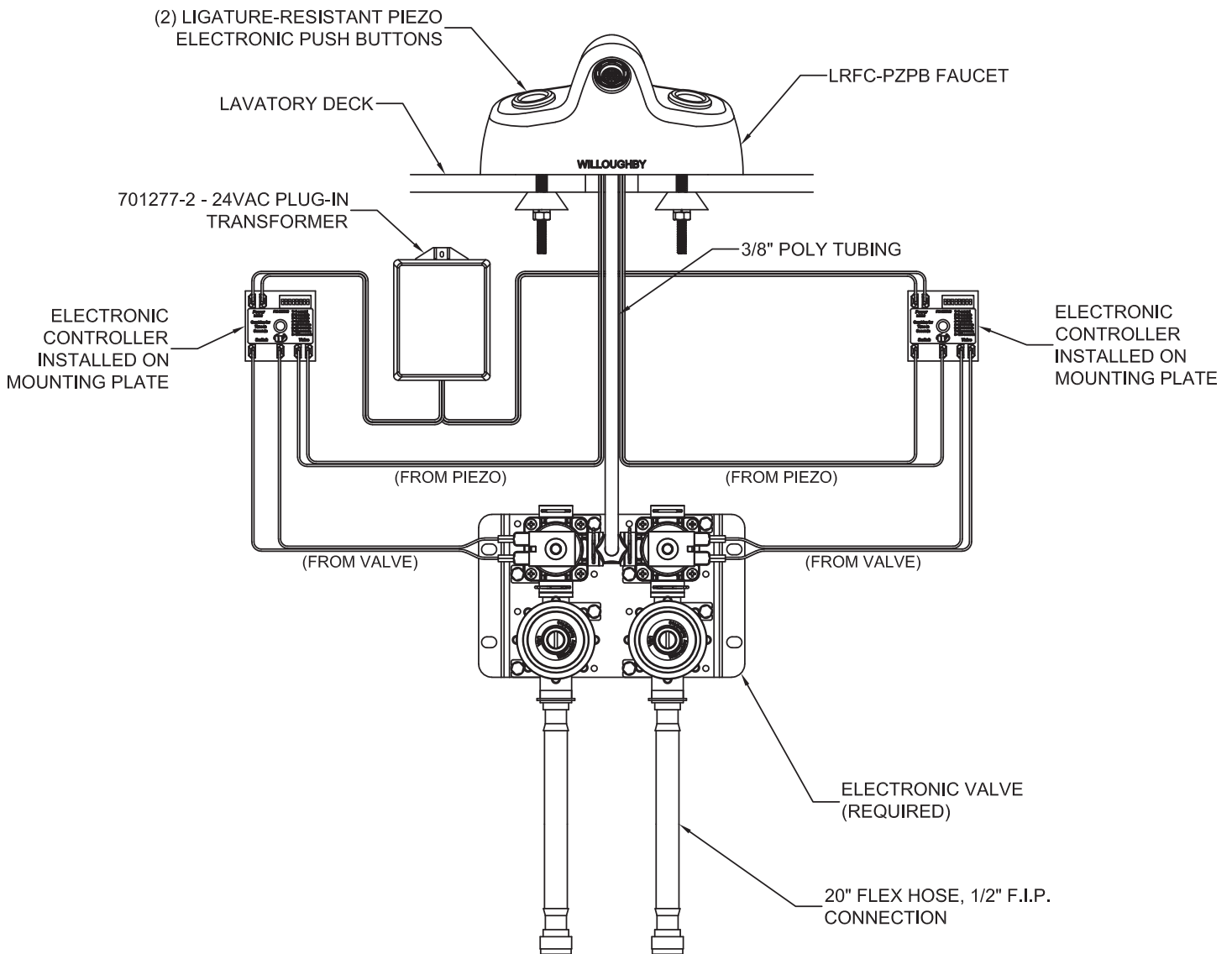
This product is designed to minimize ligature points. While every effort has been made to reduce the possibility of ligature points, this product does not eliminate all risks. Ligature-Resistant products by Willoughby Industries are to be used in conjunction with, not as a replacement for, trained professionals.



WARNING: Cancer and Reproductive Harm

- www.P65Warnings.ca.gov

visit our website at www.willoughby-ind.com
5105 West 78th Street • Indianapolis, IN. 46268
(317) 875-0830 • Fax: (317) 875-0837 • (800) 428-4065



visit our website at www.willoughby-ind.com
5105 West 78th Street • Indianapolis, IN. 46268
(317) 875-0830 • Fax: (317) 875-0837 • (800) 428-4065