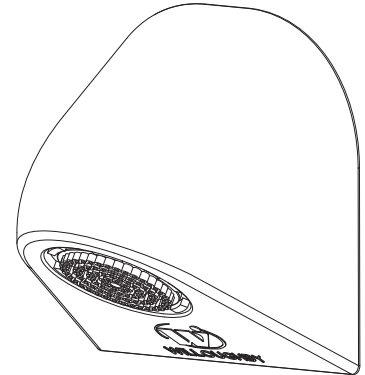




LRSH Ligature-resistant High Efficiency Shower Head



Recommended Specifications

Willoughby model LRSH Ligature-resistant, High Efficiency Shower Head shall be fixed type, with chrome-plated, die-cast construction. The vandal resistant shower head shall be rear mounted with no visible fasteners. The shower head shall have a 30° angle of spray, with 1.5 GPM flow rate insert standard. Optional 2.0 GPM flow rate insert available. Only the 1.5 GPM Shower head utilize a WaterSense Labeled insert that provide a steady and regulated flow. Optional swivel angle head allows for both vertical and horizontal user adjustment of the shower stream up to 14 degrees. The inlet connection shall be threaded for 3/8" F.I.P.

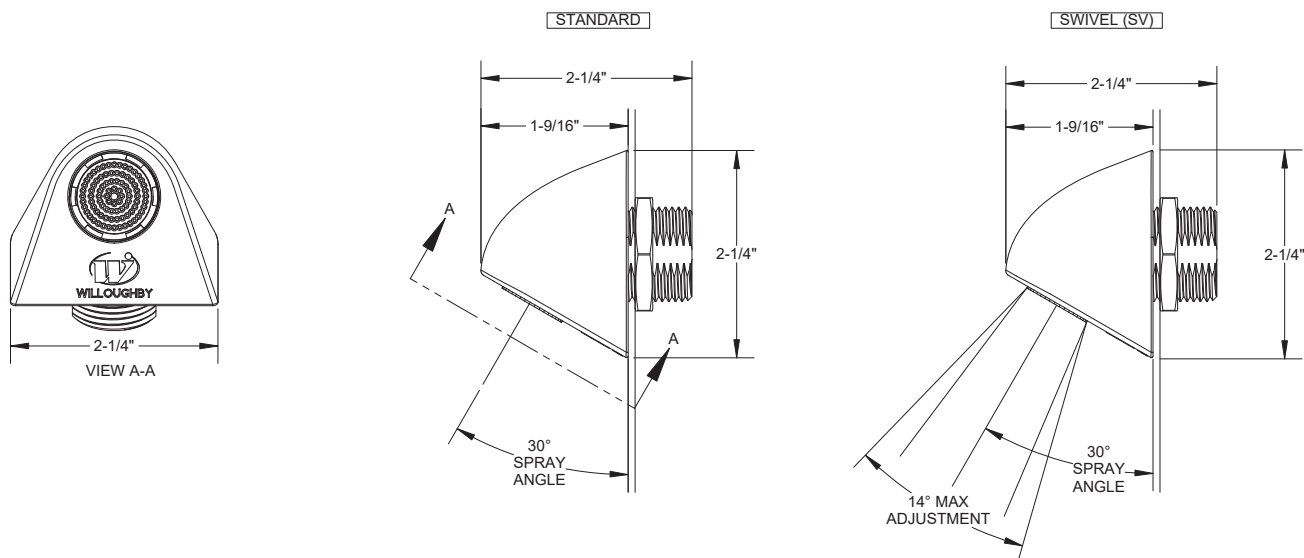
The LRSH features a concealed vandal resistant WaterSense labeled removable insert, the insert can be removed and installed with a specifically designed key tool (Part # 980663). The insert provides a non-aerated (laminar flow) soft water stream w/ smart lime cleaning technology. The LRSH has a rounded and tapered design to minimize any potential ligature points, and shall meet the requirements of cNSF@us ASME A112.18.1 / CSA B125.1 U.P. Code and WaterSense Specification for Spray head inserts.

Flow Rate:

- 1.5 GPM Flow Rate (WaterSense Labeled Insert) (Standard)
- 2.0 GPM Flow Rate

Options:

- SV 14 Degree swivel angle head
- FA LRSH With Stainless Steel Front Mounted Plate (For Non Fixture Applications)



LIGATURE-RESISTANT DISCLAIMER

This product is designed to minimize ligature points. While every effort has been made to reduce the possibility of ligature points, this product does not eliminate all risks. Ligature-Resistant products by Willoughby Industries are to be used in conjunction with, not as a replacement for, trained professionals.



WARNING: Cancer and Reproductive Harm

- www.P65Warnings.ca.gov



MADE IN THE U.S.A.

visit our website at www.willoughby-ind.com
5105 West 78th Street • Indianapolis, IN. 46268
(317) 875-0830 • Fax: (317) 875-0837 • (800) 428-4065