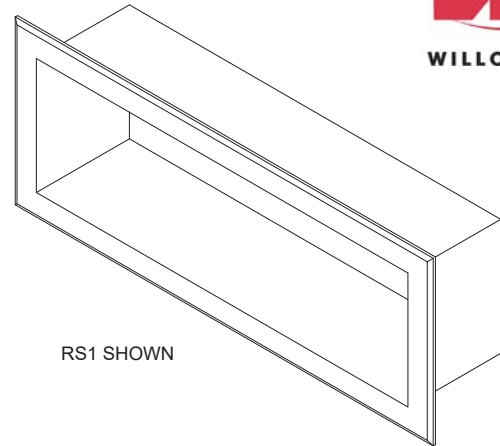
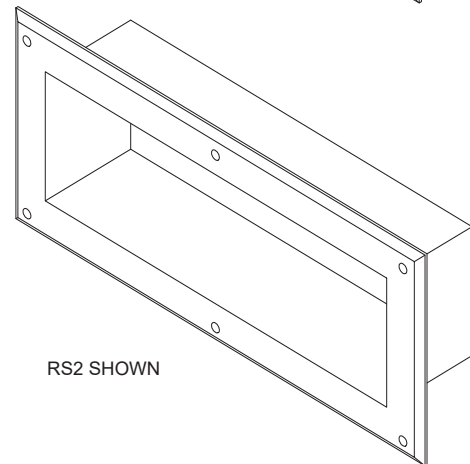


## RS Series Recessed Shelf

| ✓ | MODEL NUMBER | MOUNTING CONFIGURATION |
|---|--------------|------------------------|
|   | RS1          | REAR MOUNTED           |
|   | RS2          | FRONT MOUNTED          |



RS1 SHOWN

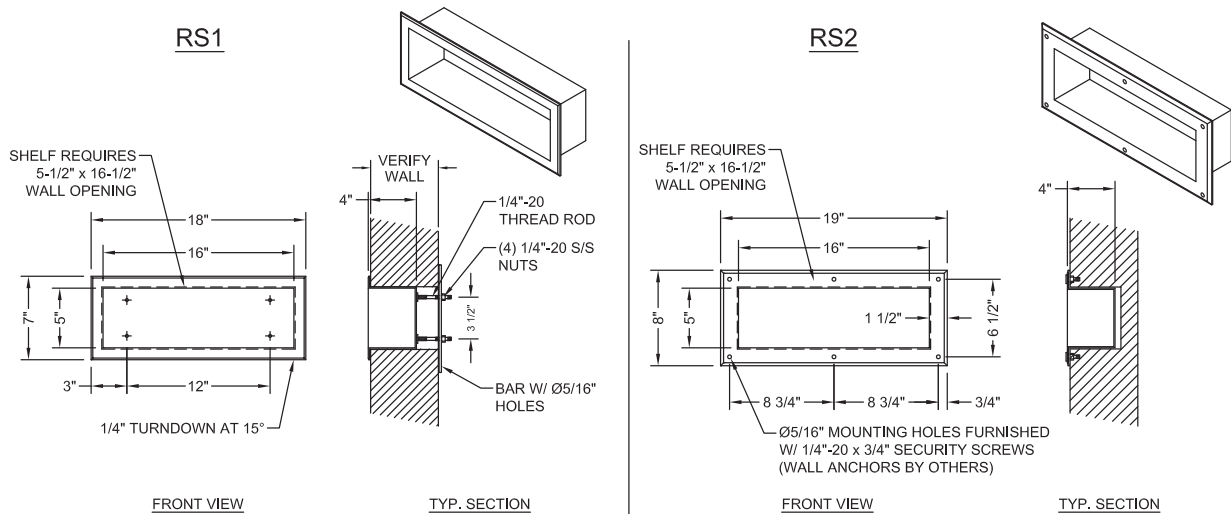


RS2 SHOWN

**RS** \_\_\_ recessed shelf shall be fabricated entirely of 16 GA, Type 304 stainless steel. Exposed flange surfaces are polished to a #3 satin finish. Shelf is available in both rear mounting (RM) or flange mounting (FM) configuration.

Shelf assembly (RS1) supplied with anchoring hardware.

Shelf assembly (RS2) supplied with vandal-resistant security screws, wall anchors by others.



**WARNING: Cancer and Reproductive Harm**

- [www.P65Warnings.ca.gov](http://www.P65Warnings.ca.gov)



visit our website at [www.willoughby-ind.com](http://www.willoughby-ind.com)  
 5105 West 78th Street • Indianapolis, IN. 46268  
 (317) 875-0830 • Fax: (317) 875-0837 • (800) 428-4065

MADE IN THE U.S.A.