

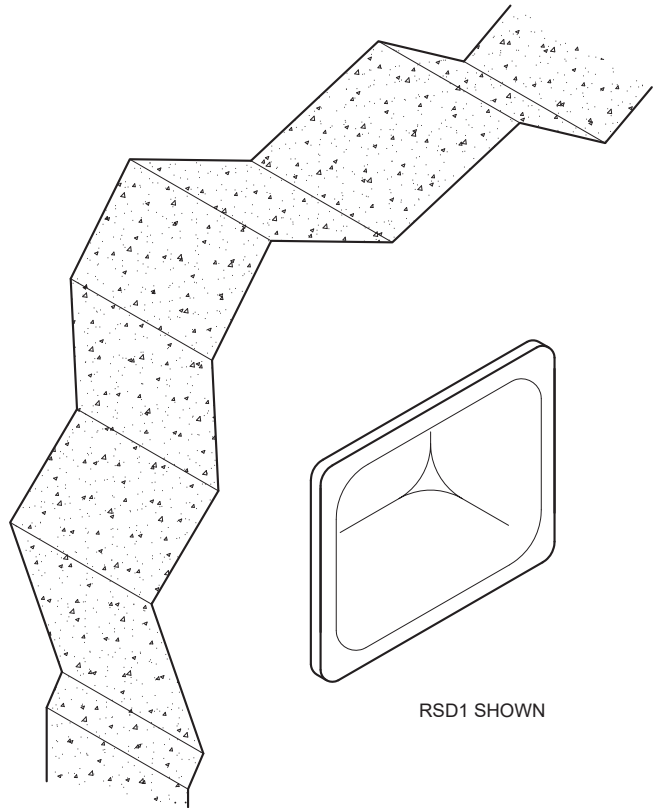
## RSD1 Rear Mounted Recessed Soap Dish

RSD1 recessed soap dish shall be 16 GA, Type 304 stainless steel. Unit is one piece construction, tamper-resistant with all exposed surfaces polished to a #3 satin finish. Wide radius corners assure cleanliness.

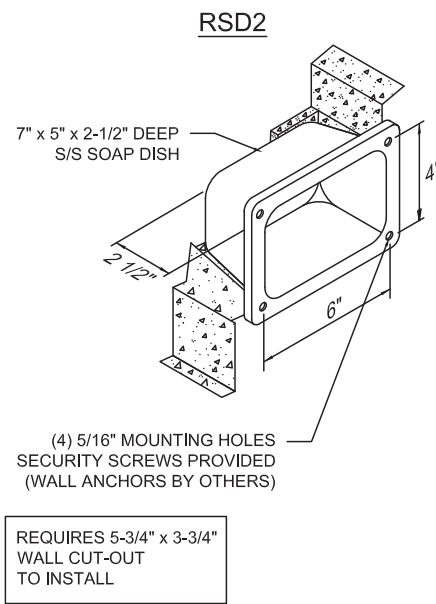
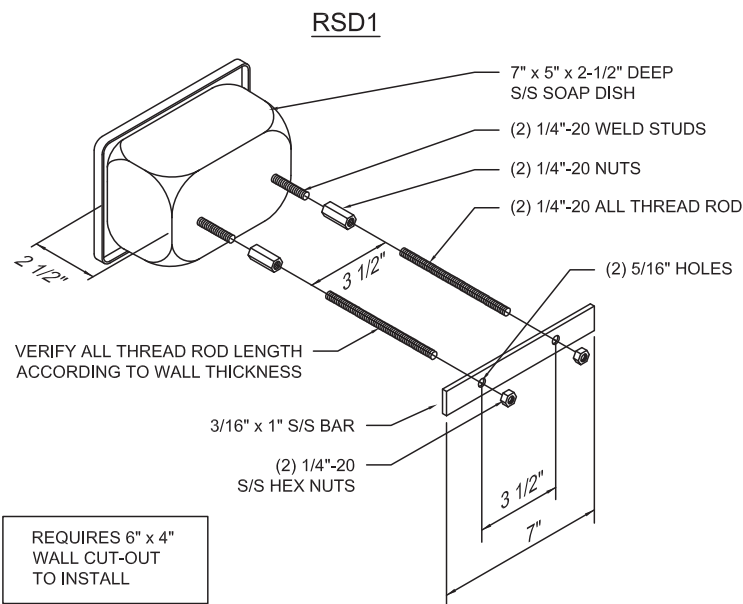
## RSD2 Front Mounted Recessed Soap Dish

RSD2 recessed soap dish shall be 16 GA, Type 304 stainless steel. Unit is one piece construction, tamper-resistant with all exposed surfaces polished to a #3 satin finish. Wide radius corners assure cleanliness. Mounting shall be from the front.

Stainless steel security screws provided, wall anchors by others.



RSD1 SHOWN



**WARNING: Cancer and Reproductive Harm**

- [www.P65Warnings.ca.gov](http://www.P65Warnings.ca.gov)

visit our website at [www.willoughby-ind.com](http://www.willoughby-ind.com)  
 5105 West 78th Street • Indianapolis, IN. 46268  
 (317) 875-0830 • Fax: (317) 875-0837 • (800) 428-4065



MADE IN THE U.S.A.