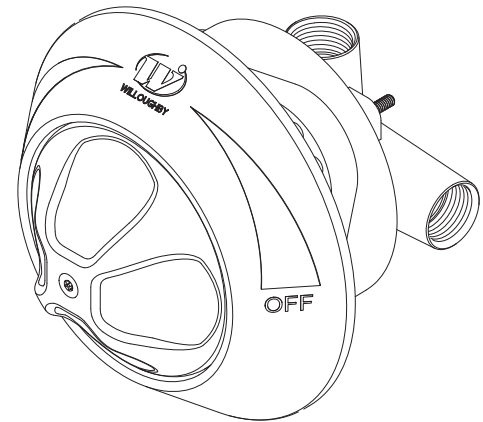


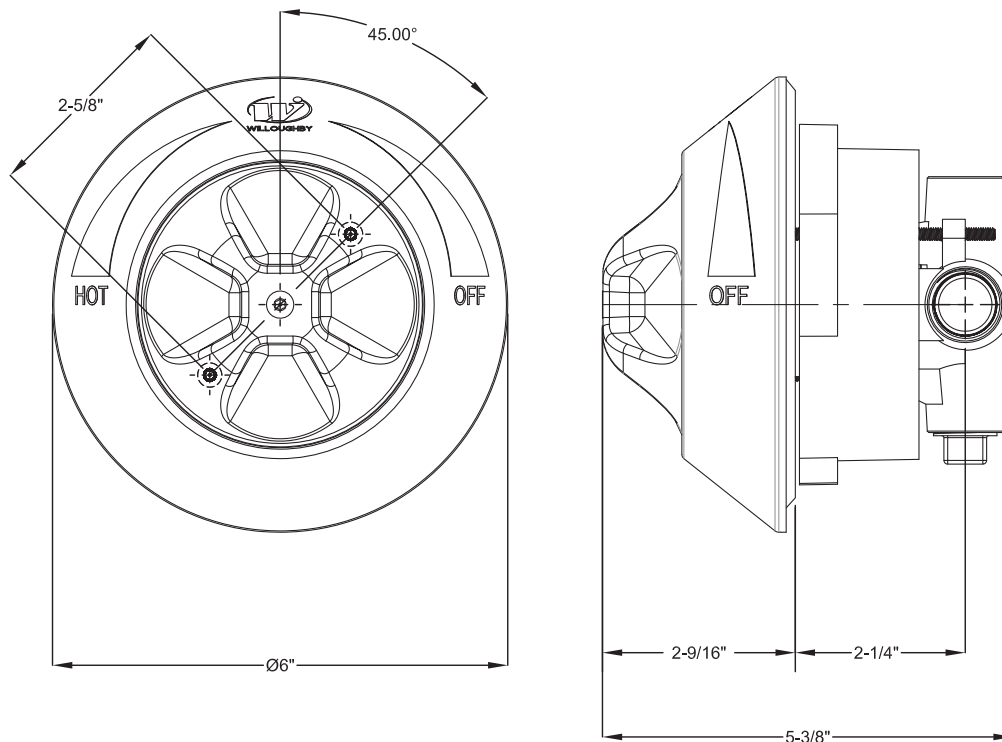


TPLR Ligature-resistant Mixing Valve



Recommended Specifications

Willoughby model TPLR Ligature-resistant, Temperature and Pressure Mixing Valve shall be chrome-plated, die-cast construction. The vandal resistant shower mixing valve shall be rear mounted with one safety screw fastener visible. The shower mixing valve shall have a recommended operational water pressure of 35 psi minimum and 70 psi maximum. The inlet connections shall be 1/2" M.P.T. and the outlet connection shall be 1/2" M.P.T. Valve meets the performance criteria for temperature and pressure changes, defined by ASSE 1016 (Type T/P). Valve meets American with Disabilities Act (ADA).



LIGATURE-RESISTANT DISCLAIMER

This product is designed to minimize ligature points. While every effort has been made to reduce the possibility of ligature points, this product does not eliminate all risks. Ligature-Resistant products by Willoughby Industries are to be used in conjunction with, not as a replacement for, trained professionals.



WARNING: Cancer and Reproductive Harm

- www.P65Warnings.ca.gov



MADE IN THE U.S.A.

visit our website at www.willoughby-ind.com
5105 West 78th Street • Indianapolis, IN. 46268
(317) 875-0830 • Fax: (317) 875-0837 • (800) 428-4065