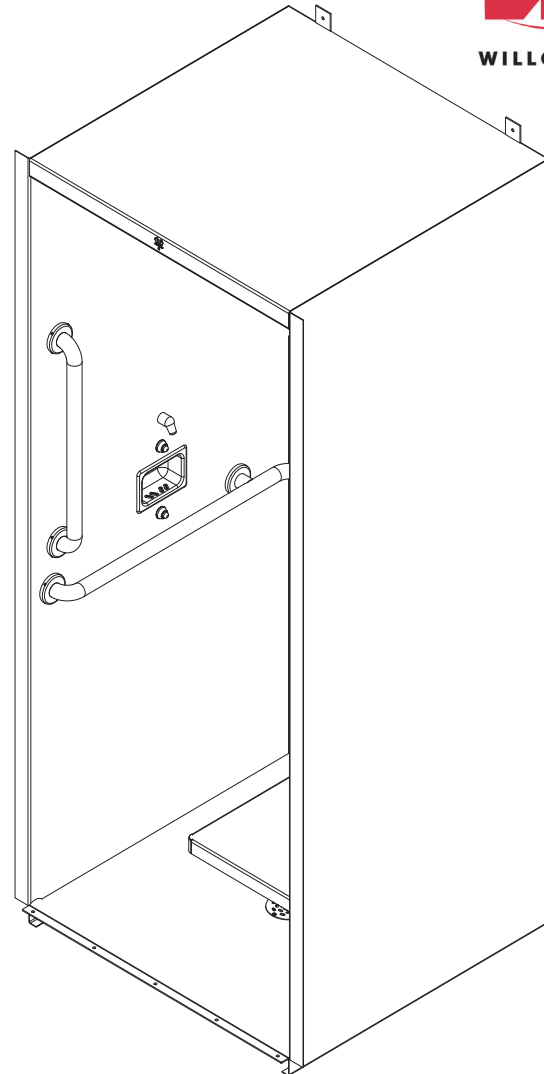


ADA Compliant Transfer Cabinet Shower



Recommended Specifications

ADA Compliant Transfer Cabinet Shower shall be:
Willoughby Model No. **___S- 3636-HC**
(Select from model number and options list on next page)

Shower cabinet shall be fabricated from 14 gauge, Type 304 stainless steel. Shower floor shall be fabricated from 11 gauge, Type 304 stainless steel. The construction shall be **all-welded** (unitized models only, not applicable to knockdown models), exposed stainless surfaces polished to a #4 satin finish, except shower floor which shall have a non-slip glass blast finish.

Standard equipment shall include:

- (ICD) Inside caulk drain (2") with removable strainer
- (GB3318) 18" x 33" Horizontally-mounted L-shaped grab bar
- (GB24V) 24" Vertically-mounted grab bar
- (FSS) Fold-up stainless steel shower seat
- 1/2" ADA Threshold with anchor holes

Underside of shower floor shall be sound deadened with fire resistant material.

Unit requires chase area for installation and maintenance.

Unit requires 2" recess in floor.

Optional WaterSense Labeled ligature-resistant shower head available (LRSH).

Please provide shower finish schedule upon ordering.
(Unit may be shown with optional features)

To specify fixture and accessories, use the Model Number and Options page.

Example: To specify a unitized 36" x 36" Handicap Cabinet Shower with left hand chase /shower head/valving, polished front, single temp. pneumatic metering valves, standard ligature-resistant pneumatic push buttons, 2.5 GPM flow rate, two non-adjustable penal shower heads, standard inside caulk drain, and recessed mounted soap dish.

Use the following Willoughby Model Number:

US-3636-HC-L-B3-PML1-MA2-PBH-2.5GPM-NPS-2HD-ICD-RD

The location of the showerhead within the cabinet shower could result in potential water spray outside of the shower compartment. It is highly recommended that a floor drain be utilized at or near the shower entrance. The floor drain is to be provided by others.

Fixture shall be free-standing, no anchoring required.

To specify Knockdown Cabinet Shower: Select the "KS" model number from the list on the Model Number and Options page.



WARNING: Cancer and Reproductive Harm

- www.P65Warnings.ca.gov



MADE IN THE U.S.A.

visit our website at www.willoughby-ind.com
5105 West 78th Street • Indianapolis, IN. 46268
(317) 875-0830 • Fax: (317) 875-0837 • (800) 428-4065

MODEL NUMBER AND OPTIONS:

1.) Base Model Number:

- Unitized Handicap Cabinet Shower:**
 US-3636-HC 36"L x 36"W Cabinet Shower
 Knockdown Handicap Cabinet Shower:
 KS-3636-HC 36"L x 36"W Cabinet Shower

2.) Chase Wall/ Shower Head/Valve Orientation:

- L Left Hand (LCS- Left Chase)
 R Right Hand (RCS- Right Chase)

3.) Cabinet Side Exterior Finish Schedule:
(Based on Chase Wall Orientation; see the Options Pages at the end of Catalog Section for diagram)

For (LCS) Left Chase:

- B2 Polished Front & Right Side
 B3 Polished Front only

For (RCS) Right Chase:

- C2 Polished Front & Left Side
 C3 Polished Front only

4.) Valve Selection:

- NV No Valve (Provided by Others)
 Special Hole Punching Dimension:

- PML1 Single Temp. Pneumatic Metering Ⓢ Ⓢ
 PML2 Dual Temp. Pneumatic Metering Ⓢ Ⓢ
 E1L1 Single Temp. Electronic (Pick Control)* Ⓢ Ⓢ
 E1L2 Dual Temp. Electronic (Pick Control)* Ⓢ Ⓢ
 PBV Pressure-Balancing Mixing Valve
 TPV Temp/Pressure-Balancing Mixing Valve
 TPLR Ligature-resistant Temp/Pressure-Balancing Mixing Valve Ⓢ

Valve Manifold Option:

- Pneumatic or Electronic Valves Only:*
(See the Manifold Option Page at the end of Catalog Section S5 for further information)
 MA2

5.) Diverter Valve:

- DV Diverter Valve
 DVLR Ligature-resistant Diverter Valve Ⓢ
 PML1-MA2 Two Single Temp. Pneumatic Metering Valves in Lieu of Diverter Valve Ⓢ

6.) Push Button Selection:

- Pneumatic or Electronic Valves Only:*
 PBH Ligature-resistant Pneumatic Push Buttons Ⓢ Ⓢ
 PZPB Ligature-resistant Piezo Electronic Push Buttons* Ⓢ Ⓢ

7.) Flow Rates:

- 2.5 GPM (Standard)
 2.0 GPM
 1.5 GPM

8.) Electronic Controls*

- (Must Use Electronic Push Button):**
 WUSC-2200 WUSC-2400
 Pneumatic WMS II

9.) Shower Head Selection:

- APS Adjustable Penal Shower Head
 NPS Non-adjustable Penal Shower Head Ⓢ
 CSH Ligature-resistant Shower Head Ⓢ Ⓢ
 LRSH Ligature-resistant Shower Head, WaterSense Labeled Insert (1.5 GPM & 2.0 GPM Flow Rate available only) Ⓢ
 FX Hand Held Flexshower w/ Quick Disconnect and Vacuum Breaker
 LRFH Ligature-resistant Quick Disconnect Hand Held Shower Ⓢ
 2HD Dual Fixed Shower Heads Ⓢ

10.) Drain Selection:

- ICD Inside Caulk Cabinet Shower Drain (2") (Standard)

11.) Options:

- VG Ventilation Grille (Specify Free Area and Location; Standard Grille Dimensions: 8-3/4" x 8-3/4" with 15-3/4 in² open area)
 CP Closure Panels (Specify Dimensions and Locations)
 STC Sloping Top Closure
 MD Modesty Door (Not ADA-Compliant)
 L Hinged Left
 R Hinged Right
 CR Curtain Rod (Less Curtain and Hooks)
 LRSC Ligature-Resistant Curtain with Track Ⓢ
 TH1 Release Towel Hook Ⓢ Ⓢ
 GBC Grab Bar Closure Plate Ⓢ Ⓢ
 RD Recessed Mounted Soap Dish Ⓢ Ⓢ
 SD Surface Mounted Soap Dish
 TMV In-line Thermostatic Mixing Valve
 TF24H Hard-wired Transformer, 110VAC to 24VAC*
 TF24P Plug-in Transformer, 110VAC to 24VAC*
 LFSS Less Fold-up Stainless Steel Shower Seat (NOTE: FSS Fold-up Shower Seat / LRSS Fixed Shower Seat is required for ADA Compliance)
 LGB3318 Less 18" x 33" Horizontally-mounted L-Shaped Grab Bar
 LGB24V Less 24" Vertically-mounted Grab Bar
 LRD5 5" Ligature-resistant Drain Cover Ⓢ Ⓢ
 LRSS Ligature-resistant Fixed Shower Seat, in lieu of fold-up shower seat Ⓢ Ⓢ
 Other _____
 Other _____

*(Req. 110V power through ground fault interrupter (GFCI) receptacle / breaker)

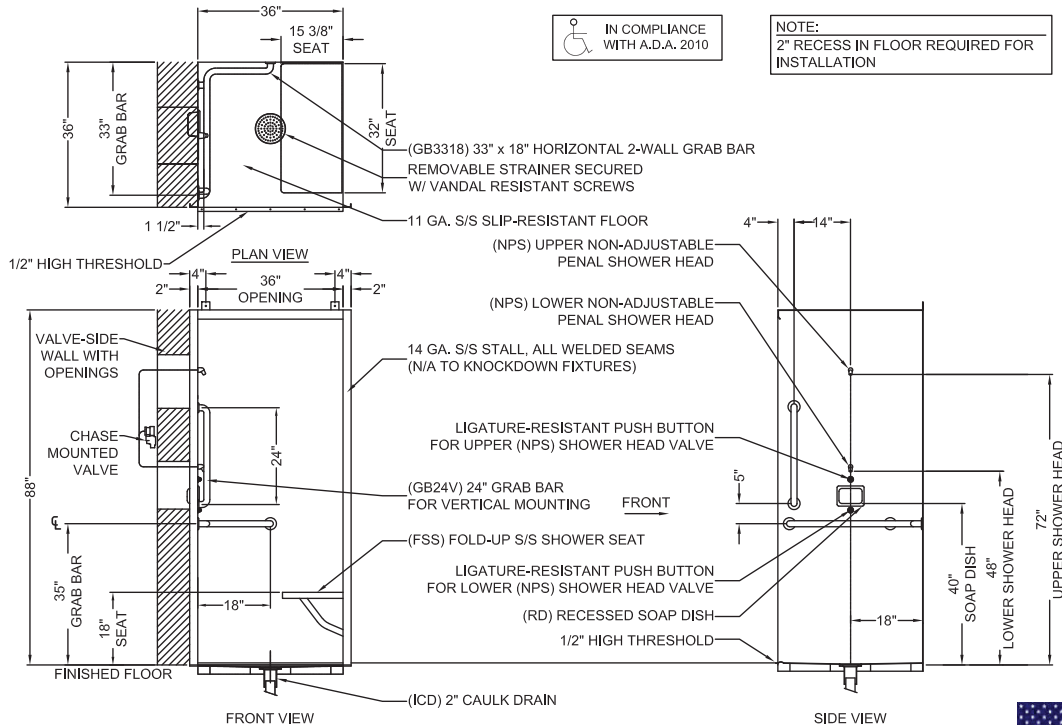
- Ⓢ For security applications
 Ⓢ Ligature-resistant option***

*****LIGATURE-RESISTANT DISCLAIMER**

This product is designed to minimize ligature points. While every effort has been made to reduce the possibility of ligature points, this product does not eliminate all risks. Ligature-Resistant products by Willoughby Industries are to be used in conjunction with, not as a replacement for, trained professionals.

Approved For Manufacturing By: _____ Date: _____ Company: _____
 Wall Thickness: _____ Wall Type: _____

VERIFY ALL DIMENSIONS WITH FACTORY PRIOR TO ROUGH-IN
 WILLOUGHBY RESERVES THE RIGHT TO MAKE CHANGES IN DESIGN AND DIMENSIONS WITHOUT FORMAL NOTICE AND WITHOUT INCURRING OBLIGATION.



visit our website at www.willoughby-ind.com
 5105 West 78th Street • Indianapolis, IN. 46268
 (317) 875-0830 • Fax: (317) 875-0837 • (800) 428-4065



MADE IN THE U.S.A.