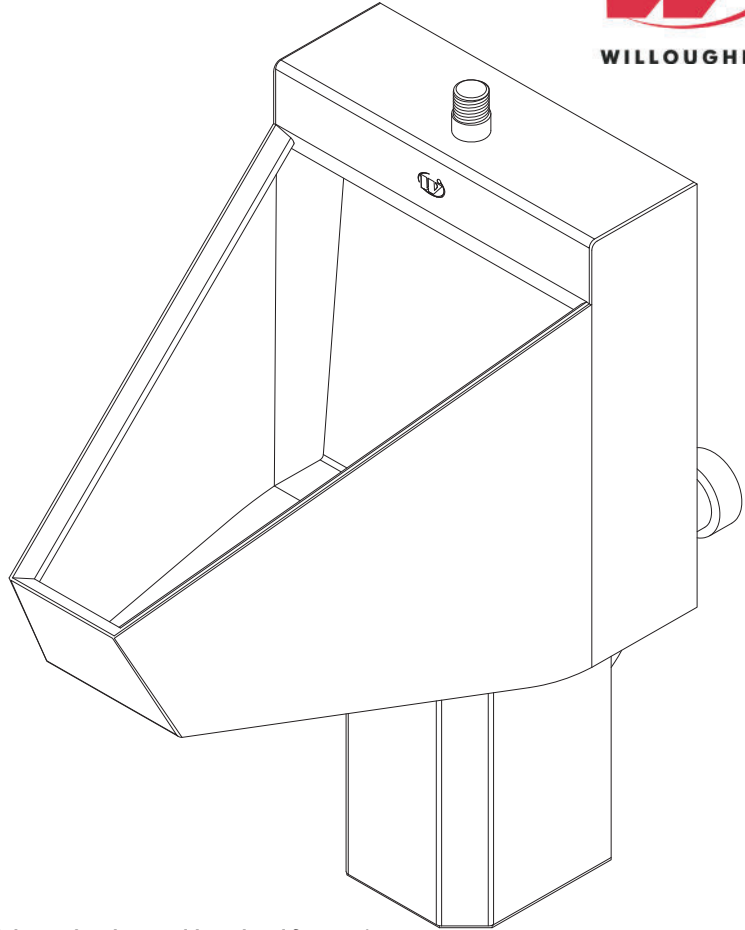


UW-1412-WO Stainless Steel Single Person Rear Mounted Washout Flush Straddle Urinal



(Unit may be shown with optional features)

To specify fixture and accessories, use the Model Number and Options page.

Example: To specify a Stainless Steel, Single Person, Rear Mounted, Washout Flush Straddle Urinal with top spud, 1.0 GPF, wall sleeve, and hydraulic flush valve

Use the following Willoughby Model Number:

UW-1412-WO-TS-1.0-WS-FV

Recommended Specifications

Stainless Steel, Single Person, Rear Mounted, Washout Flush Straddle Urinal shall be: Willoughby Model No. **UW-1412-WO** (Select from model number and options list on next page)

Fixture is fabricated from 14 GA., Type 304 stainless steel. The construction shall be all-welded with exposed stainless surfaces polished to a #4 satin finish.

Standard equipment shall include:

- Full perimeter 360° flushing rim
- Beehive strainer
- Integral stainless steel P-trap

Urinal shall be washout type which requires 25 PSI minimum flushing pressure. Trap shall be fully enclosed and maintain a 3" seal.

Anchoring shall be by a standard 4-point system: threaded rods, nuts and washers furnished for walls up to 8" thick.

Unit requires chase area for installation and maintenance.



WARNING: Cancer and Reproductive Harm

- www.P65Warnings.ca.gov

visit our website at www.willoughby-ind.com
5105 West 78th Street • Indianapolis, IN. 46268
(317) 875-0830 • Fax: (317) 875-0837 • (800) 428-4065



MADE IN THE U.S.A.

MODEL NUMBER AND OPTIONS:

1.) Base Model Number:

- UW-1412-WO Stainless Steel, Single Person, Rear Mounted, Washout Flush Straddle Urinal

2.) Inlet Location:

- BS Back Spud
 TS Top Spud

3.) Flush Valve:

- FV Hydraulic Flush Valve (Includes Actuator)
 1.0 GPF Low Flow (3.8 Lpf)
 0.5 GPF High Efficiency (HEU) (1.9 Lpf)
 EFVP Electronic Flush Valve w/ (PZPB) Ligature-resistant Piezo Push Button (Pick Control)***
 1.0 GPF Low Flow (3.8 Lpf)
 0.5 GPF High Efficiency (HEU) (1.9 Lpf)
 NFV No Flush Valve (Provided by Others)
 Special Hole Punching Dimension for ASUFVC:

4.) Options:

- MT Wall Template
 WS Wall Sleeve (Requires Accessible Chase)
 ASUFVC Ligature-resistant Urinal Flush Valve Cover (Top Spud Only)**
 FVT Flush Valve Connection (Back Spud Only)
 AP Flush Valve Access Panel (Allows access to chase mounted flush valve from fixture side)
 TF24H Hard-wired Transformer, 110VAC to 24VAC*
 TF24P Plug-in Transformer, 110VAC to 24VAC*
 Other _____
 Other _____

5.) Electronic Controls* (Must Use Electronic Flush Valve):

- WUFC-4000 Pneutronic WMSII

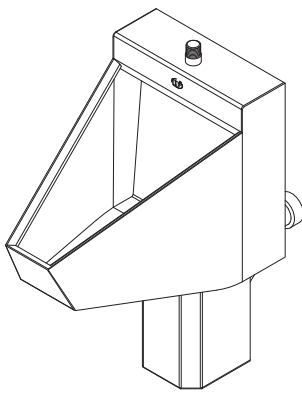
*(Req. 110V power through ground fault interrupter (GFCI) receptacle / breaker)

**LIGATURE-RESISTANT DISCLAIMER

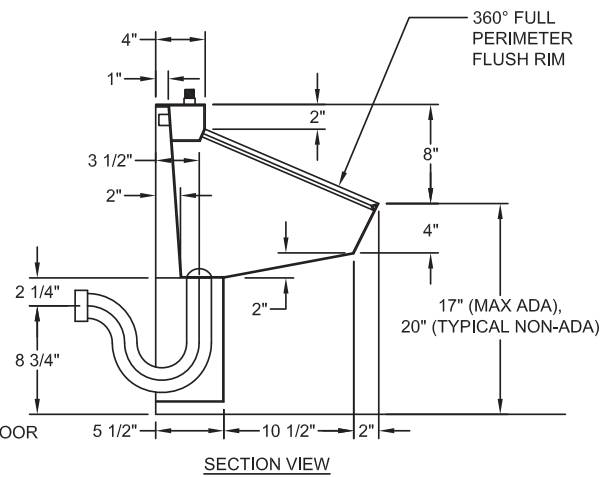
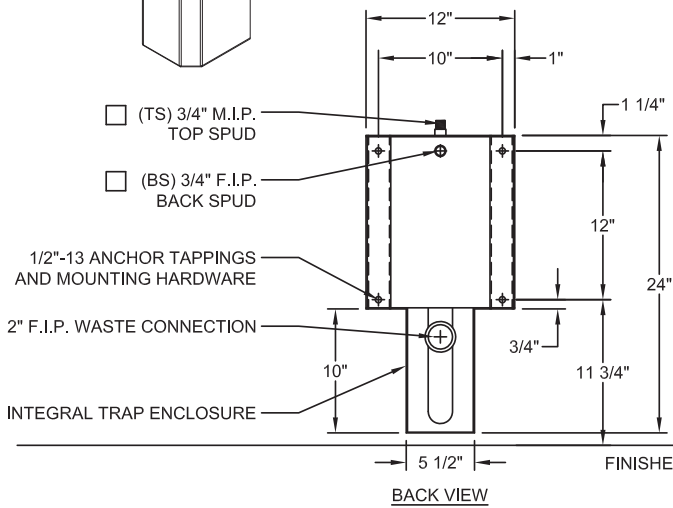
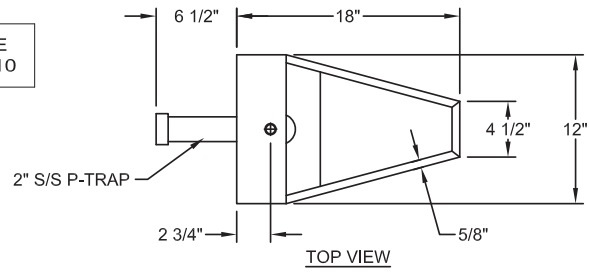
This product is designed to minimize ligature points. While every effort has been made to reduce the possibility of ligature points, this product does not eliminate all risks. Ligature-Resistant products by Willoughby Industries are to be used in conjunction with, not as a replacement for, trained professionals.

Approved For Manufacturing By: _____ Date: _____ Company: _____
 Wall Thickness: _____ Wall Type: _____

VERIFY ALL DIMENSIONS WITH FACTORY PRIOR TO ROUGH-IN
 WILLOUGHBY RESERVES THE RIGHT TO MAKE CHANGES IN DESIGN AND DIMENSIONS WITHOUT FORMAL NOTICE AND WITHOUT INCURRING OBLIGATION.



IN COMPLIANCE WITH A.D.A. 2010



visit our website at www.willoughby-ind.com
 5105 West 78th Street • Indianapolis, IN. 46268
 (317) 875-0830 • Fax: (317) 875-0837 • (800) 428-4065



MADE IN THE U.S.A.