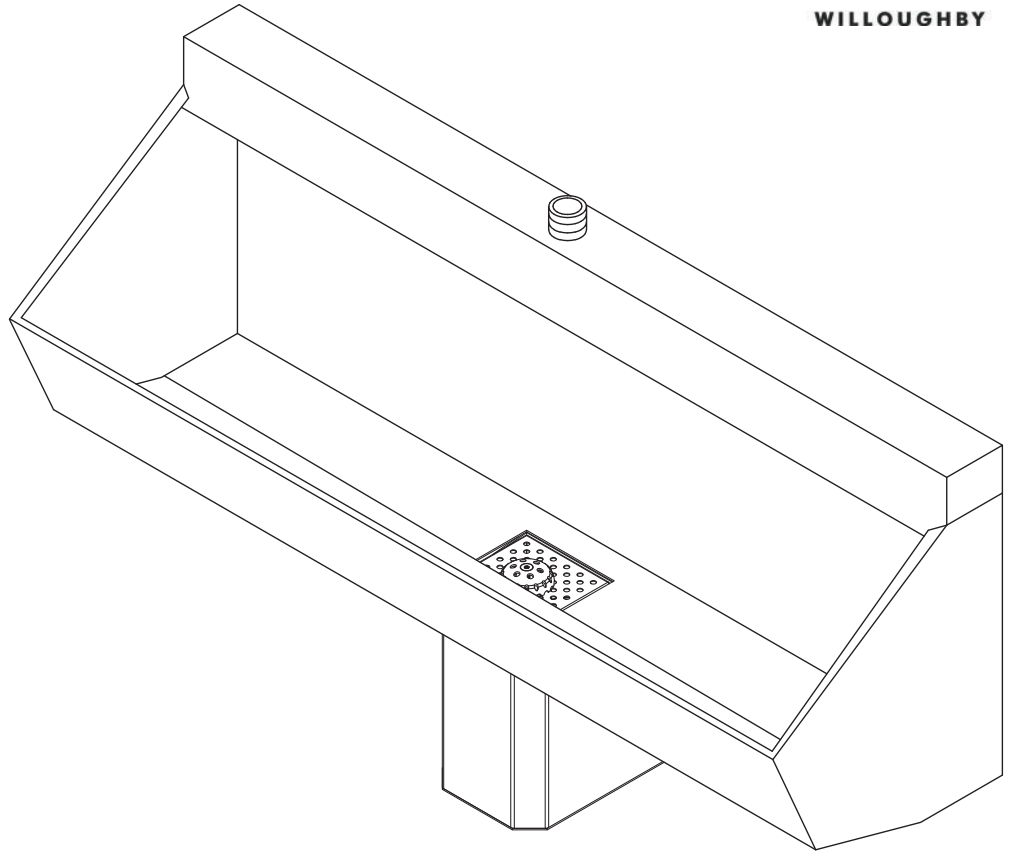


UW-1800 Series Stainless Steel Multi-Person Rear Mounted Washout Trough Urinal



(Unit may be shown with optional features)

To specify fixture and accessories, use the Model Number and Options page.

Example: To specify a Stainless Steel, Multi-Person, Rear Mounted, Washout Trough Urinal, 36" length with top spud, wall sleeve, and hydraulic flush valve

Use the following Willoughby Model Number:

UW-1836-TS-WS-FV

Recommended Specifications

Stainless Steel, Multi-Person, Rear Mounted, Washout Trough Urinal shall be: Willoughby Model No. **UW-18**____
(Select from model number and options list on next page)

Fixture is fabricated from 14 GA., Type 304 stainless steel. The construction shall be all-welded with exposed stainless surfaces polished to a #4 satin finish.

Standard equipment shall include:

- Full perimeter 360° flushing rim
- Beehive strainer
- Integral stainless steel P-trap

Urinal shall be washout type which requires 25 PSI minimum flushing pressure. Trap shall be fully enclosed (with a removable access cover) and maintain a 3" seal.

Anchoring shall be by a standard 8-point system: threaded rods, nuts and washers furnished for walls up to 8" thick.

Unit requires chase area for installation and maintenance.



WARNING: Cancer and Reproductive Harm

- www.P65Warnings.ca.gov

visit our website at www.willoughby-ind.com
5105 West 78th Street • Indianapolis, IN. 46268
(317) 875-0830 • Fax: (317) 875-0837 • (800) 428-4065



MADE IN THE U.S.A.

MODEL NUMBER AND OPTIONS:

1.) Base Model Number:

- UW-1836 36" Stainless Steel, Multi-Person, Rear Mounted, Washout Trough Urinal (Wall Outlet)
- UW-1848 48" Stainless Steel, Multi-Person, "
- UW-1860 60" Stainless Steel, Multi-Person, "
- UW-1872 72" Stainless Steel, Multi-Person, "
- UW-1896 96" Stainless Steel, Multi-Person, "

**LIGATURE-RESISTANT DISCLAIMER

This product is designed to minimize ligature points. While every effort has been made to reduce the possibility of ligature points, this product does not eliminate all risks. Ligature-Resistant products by Willoughby Industries are to be used in conjunction with, not as a replacement for, trained professionals.

2.) Inlet Location:

- BS Back Spud
- TS Top Spud

3.) Flush Valve:

- FV Hydraulic Flush Valve (Includes Actuator)
 - 1.0 GPF Low Flow (3.8 Lpf)
- EFVP Electronic Flush Valve w/ (PZPB) Ligature-resistant Piezo Push Button (Pick Control)**
 - 1.0 GPF Low Flow (3.8 Lpf)
- NFV No Flush Valve (Provided by Others)
 - Special Hole Punching Dimension for ASUFVC:

4.) Options:

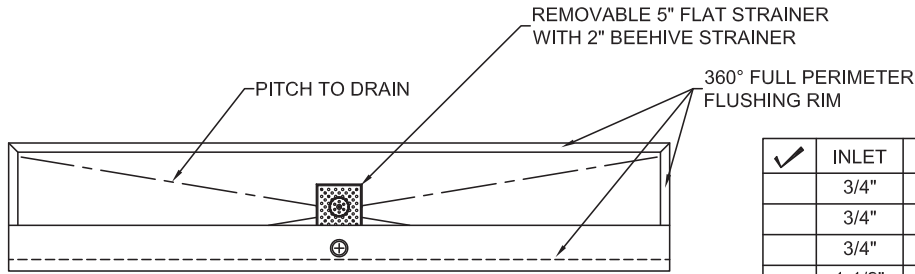
- MT Wall Template
- WS Wall Sleeve (Requires Accessible Chase)
- ASUFVC Ligature-resistant Urinal Flush Valve Cover (Top Spud Only)**
- FVT Flush Valve Connection (Back Spud Only)
- AP Flush Valve Access Panel (Allows access to chase mounted flush valve from fixture side)
- TF24H Hard-wired Transformer, 110VAC to 24VAC*
- TF24P Plug-in Transformer, 110VAC to 24VAC*
- Other _____

5.) Electronic Controls* (Must Use Electronic Flush Valve):

- WUFC-4000 Pneutronic WMSII

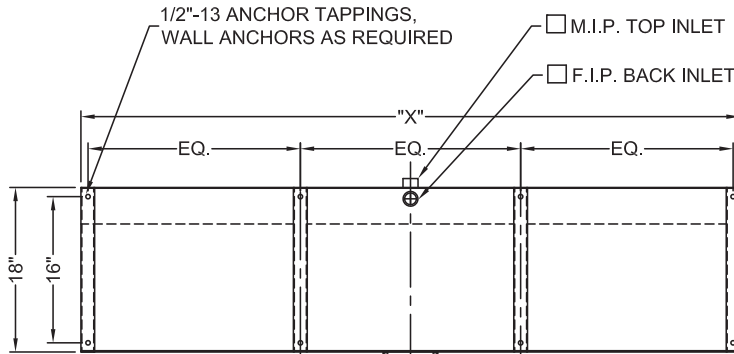
Approved For Manufacturing By: _____ Date: _____ Company: _____
 Wall Thickness: _____ Wall Type: _____

VERIFY ALL DIMENSIONS WITH FACTORY PRIOR TO ROUGH-IN
 WILLOUGHBY RESERVES THE RIGHT TO MAKE CHANGES IN DESIGN AND DIMENSIONS WITHOUT FORMAL NOTICE AND WITHOUT INCURRING OBLIGATION.

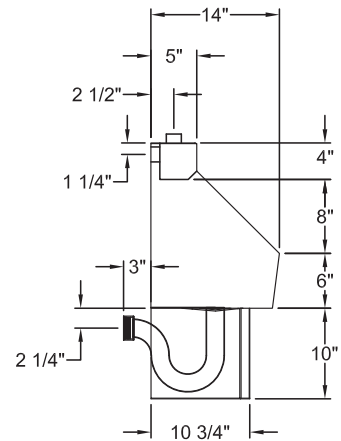


PLAN VIEW

<input checked="" type="checkbox"/>	INLET	MODEL NO.	"X" DIM.
	3/4"	UW-1836	36"
	3/4"	UW-1848	48"
	3/4"	UW-1860	60"
	1-1/2"	UW-1872	72"
	1-1/2"	UW-1896	96"



REAR ELEVATION



TYP. SECTION

visit our website at www.willoughby-ind.com
 5105 West 78th Street • Indianapolis, IN. 46268
 (317) 875-0830 • Fax: (317) 875-0837 • (800) 428-4065



MADE IN THE U.S.A.