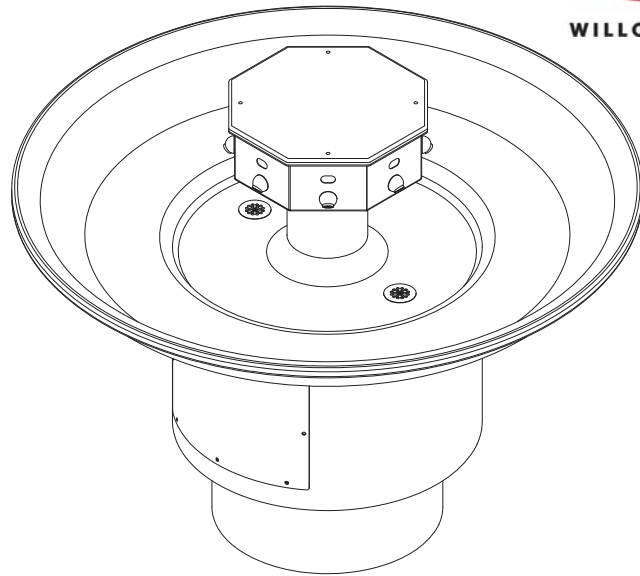


WAF-5406/5408 AquaFount® Six / Eight Station Full Round 54" Solid Surface Deep Bowl Washfountain



(Unit may be shown with optional features)

Recommended Specifications

To specify fixture and accessories, use the Model Number and Options page.
Example: To specify an eight station full round 36" AquaFount® washfountain with standard floor mounting (34" rim height), hard-wired infrared sensors, standard water supply from below, in Sandstone color
Use the following Willoughby Model Number:
WAF-5408-FLR-IR-SB-SS

AquaFount® Full Round, 54" Solid Surface Washfountain shall be: Willoughby Model No. **WAF-540**____
(select from model number and options list on next page)

AquaFount® washfountain shall accommodate from 1 to 6 users simultaneously for the 6 station and 1 to 8 users simultaneously for the 8 station. The washfountain bowl and cover are constructed of Aquasurf® molded cast polymer densified solid surface material composed of polyester/acrylic resin, UV stabilizer, aluminum trihydrate, mineral fillers and antimicrobial additive***. The pre-assembled water distribution heads and pedestal base shall be constructed of heavy gauge, type 304 stainless steel. Exposed stainless steel surfaces shall be polished to a #4 satin finish.

Push buttons and water spray nozzles shall be constructed of type 303 stainless steel. The drain grate shall be constructed of heavy gauge stainless steel. The pre-assembled sprayhead module shall be equipped with independent spray nozzles controlled by separate push buttons or infrared sensors. Flow restrictors shall maintain flow rates at 0.5 GPM per station.

AquaFount® washfountains shall be supplied with thermostatic mixing valves, integral checkstops, drain spuds, flexible supply hoses, control valves, color coded water lines, and Class II 120/24 VAC plug-in transformers (as needed)*. Operating supply water pressure range is 35-70 PSI.

* *Note:* Plug-in transformer must be used with a ground fault interrupter (GFCI) receptacle to prevent possible electrical shock.

Vandal resistance:

The spray nozzles, push buttons, infrared sensors, and escutcheons are secured to the unit from within the head kit. Valves, water supplies, and waste connections are concealed within the pedestal. Removable access panels are secured with vandal-resistant security Torx screws. The Aquasurf® solid surface material is resistant to stains, impact and burns. Surface damage can be easily repaired with everyday cleansers and/or fine grit abrasives.

ADA, TAS, and ANSI Compliant:

At the standard 34" adult rim height, all stations are designed to comply with all applicable ADA, TAS, and ANSI Z124.3 and Z124.6 accessibility guidelines. This excludes Floor Mounted Foot Operated (FO) models.

Optional Features:

AquaFount® washfountains offer liquid soap dispensers as optional accessories. AquaFount® washfountains can be ordered with 31" rim heights for juvenile use (JR).

*** Antimicrobial properties are built-in to inhibit the growth of bacteria that may affect this product. The antimicrobial properties do not protect users or others against bacteria, viruses, germs, or other disease organisms. Always use good hygienic cleaning practices.



WARNING: Cancer and Reproductive Harm

- www.P65Warnings.ca.gov



MADE IN THE U.S.A.

visit our website at www.willoughby-ind.com
5105 West 78th Street • Indianapolis, IN. 46268
(317) 875-0830 • Fax: (317) 875-0837 • (800) 428-4065

MODEL NUMBER AND OPTIONS:

1.) Washfountain Type:

- WAF-5406 AquaFount® 6 Station 54" Full Round Deep Bowl
Solid Surface Washfountain
- WAF-5408 AquaFount® 8 Station 54" Full Round Deep Bowl
Solid Surface Washfountain

2.) Pedestal Type:

- FLR Floor Mounted (Standard)

3.) Junior Height Option:

- JR Junior Height (31" Rim Height, Not JR. ADA Compliant)

4.) Valve Actuation:

- PPB1 Standard Pneumatic Push Buttons for Single Temperature Pneumatic Metering
- PZPB1 Ligature-resistant Piezo Electronic Push Buttons for Single Temperature Electronic (w/ Pneutronic Control)*/**
- IR Infrared Sensors, Plug-in*
- BO Infrared Sensors, Battery Operated
- FO Foot Operated Pneumatic Push Buttons (Not ADA Compliant)

* (Req. 110V power through ground fault interrupter (GFCI) receptacle)

5.) Water Supply:

- SB Supply From Below (Standard)
- SA Supply From Above (Option (TSHWF) recommended)

6.) Solid Surface Colors:

- BN Bone
- GW Glacier White
- GG Grey Granite
- SS Sandstone
- WG White Granite
- BG Black Granite
- NB Nocturnal Blue
- RC Red Coral
- SG Sea Green

7.) Other Options:

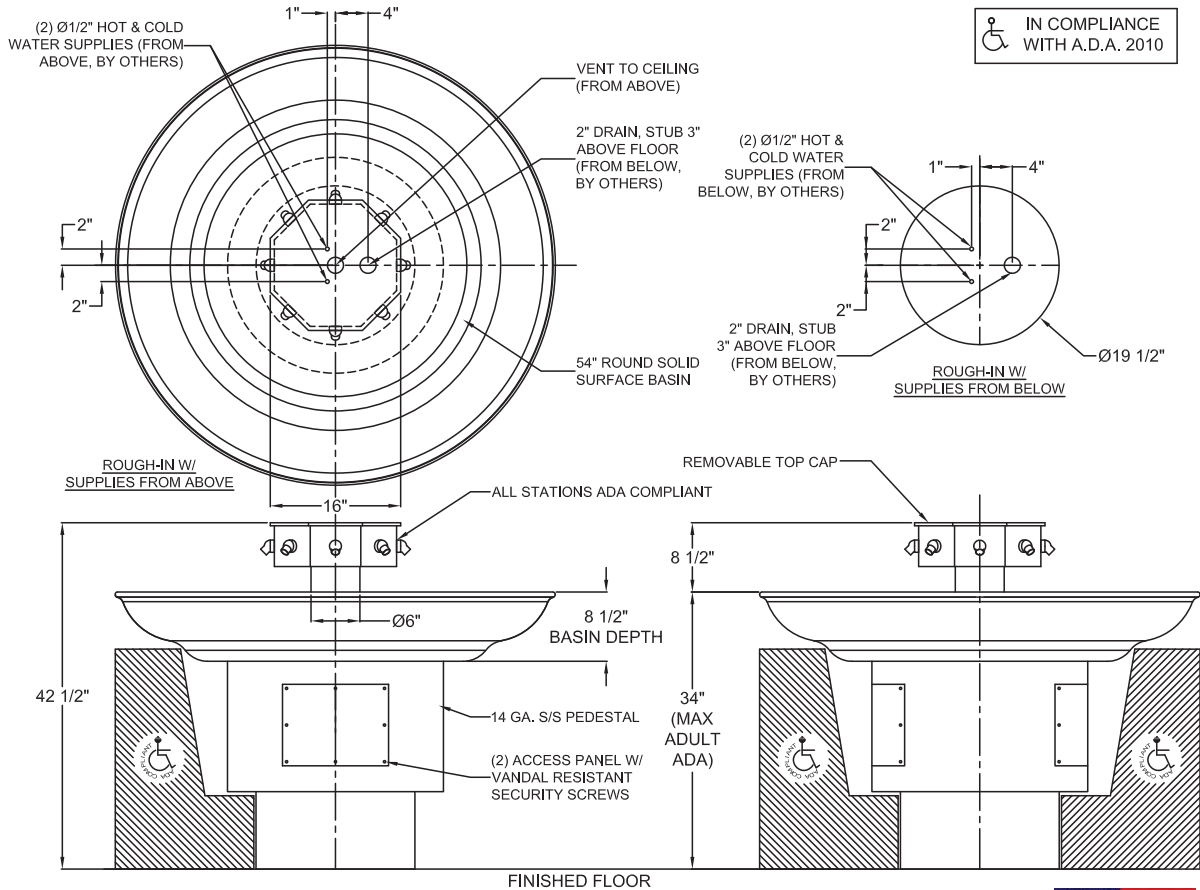
- LSD Liquid Soap Dispensers (2)
- TL Less In-line Thermostatic Mixing Valve
- SSC Stainless Steel Head Cover (Top Cap)
- TSHWF Telescoping Washfountain Shroud (For use on (SA) models only)
- LSH 1.5 gpm Laminar Flow Sprayheads
- Other _____
- Other _____

**LIGATURE-RESISTANT DISCLAIMER

This product is designed to minimize ligature points. While every effort has been made to reduce the possibility of ligature points, this product does not eliminate all risks. Ligature-Resistant products by Willoughby Industries are to be used in conjunction with, not as a replacement for, trained professionals.

Approved For Manufacturing By: _____ Date: _____ Company: _____
Wall Thickness: _____ Wall Type: _____

VERIFY ALL DIMENSIONS WITH FACTORY PRIOR TO ROUGH-IN
WILLOUGHBY RESERVES THE RIGHT TO MAKE CHANGES IN DESIGN AND DIMENSIONS WITHOUT FORMAL NOTICE AND WITHOUT INCURRING OBLIGATION.



visit our website at www.willoughby-ind.com
5105 West 78th Street • Indianapolis, IN. 46268
(317) 875-0830 • Fax: (317) 875-0837 • (800) 428-4065



MADE IN THE U.S.A.