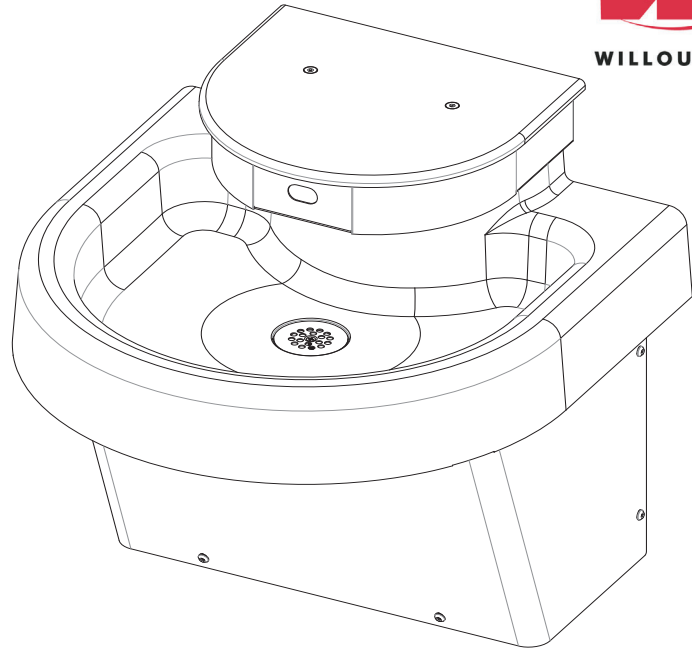




WAW-2311 AquaWave® Single Station Solid Surface Lavatory System



(Unit may be shown with optional features)

To specify fixture and accessories, use the Model Number and Options page.

Example: To specify a single station AquaWave® lavatory with wall mounting, hard-wired infrared sensor actuation, and Bone color

Use the following Willoughby Model Number:
WAW-2311-WALL-IR-BN

Recommended Specifications

AquaWave® Single Station, Solid Surface Lavatory System shall be: Willoughby Model No. **WAW-2311** (select from model number and options list on next page.)

AquaWave® Lavatory System shall accommodate 1 user. The lavatory system bowl, and top are constructed of Aquasurf® molded cast polymer densified solid surface material composed of polyester/acrylic resin, UV stabilizer, aluminum trihydrate, mineral fillers and antimicrobial additive***. The pre-assembled water distribution head and low-profile pedestal base shall be constructed of heavy gauge, Type 304 stainless steel. Exposed stainless steel surfaces shall be polished to a #4 satin finish.

Push button and water spray nozzle shall be constructed of type 303 stainless steel. The drain grate shall be constructed of heavy gauge stainless steel. The pre-assembled sprayhead module shall be equipped with independent spray nozzle controlled by a push button or infrared sensor. Flow restrictor shall maintain flow rates at 0.5 GPM per station.

AquaWave® Lavatory Systems shall be supplied with thermostatic mixing valves, integral checkstops, drain spuds, flexible supply hoses, control valves, color coded water lines, and Class II 120/24 VAC plug-in transformers (as needed)*. Operating supply water pressure range is 35-70 PSI.

* Note: Plug-in transformer must be used with a ground fault interrupter (GFCI) receptacle to prevent possible electrical shock.

Vandal resistance:

The spray nozzles, push buttons, infrared sensors, and escutcheons are secured to the unit from within the head kit. Valves, water supplies, and waste connections are concealed within the pedestal. Removable shroud is secured with vandal-resistant security Torx screws. The Aquasurf® solid surface material is resistant to stains, impact and burns. Surface damage can be easily repaired with everyday cleansers and/or fine grit abrasives.

ADA, TAS, and ANSI Compliant:

The lavatory is designed to comply with all applicable ADA, TAS, and ANSI Z124.3 and Z124.6 accessibility guidelines, whether mounted at standard adult rim height (34" Max AFF) or junior height (31" Max AFF).

Optional Features:

AquaWave® Lavatory Systems offer liquid soap dispensers as optional accessories.

***Antimicrobial properties are built-in to inhibit the growth of bacteria that may affect this product. The antimicrobial properties do not protect users or others against bacteria, viruses, germs, or other disease organisms. Always use good hygienic cleaning practices.



WARNING: Cancer and Reproductive Harm

- www.P65Warnings.ca.gov



MADE IN THE U.S.A.

visit our website at www.willoughby-ind.com
5105 West 78th Street • Indianapolis, IN. 46268
(317) 875-0830 • Fax: (317) 875-0837 • (800) 428-4065

MODEL NUMBER AND OPTIONS:

1.) Washfountain Model:

- WAW-2311 AquaWave® 1 Station Solid Surface Lavatory System

2.) Pedestal Type:

- WALL Wall Mounted, Low-profile, All-Stainless Steel Shroud (Standard)

3.) Valve Actuation:

- PPB1 Standard Pneumatic Push Button for Single Temperature Pneumatic Metering
- PPB2 Standard Pneumatic Push Buttons for Dual Temperature Pneumatic Metering
- PZPB1 Ligature-resistant Piezo Electronic Push Button for Single Temperature Electronic (w/ Pneutronic Control)*/**
- PZPB2 Ligature-resistant Piezo Electronic Push Buttons for Dual Temperature Electronic (w/ Pneutronic Control)*/**
- IR Infrared Sensor, Plug-in*
- BO Infrared Sensor, Battery Operated

4.) Solid Surface Colors:

- BN Bone
- GW Glacier White
- GG Grey Granite
- SS Sandstone
- WG White Granite
- BG Black Granite
- NB Nocturnal Blue
- RC Red Coral
- SG Sea Green

5.) Other Options:

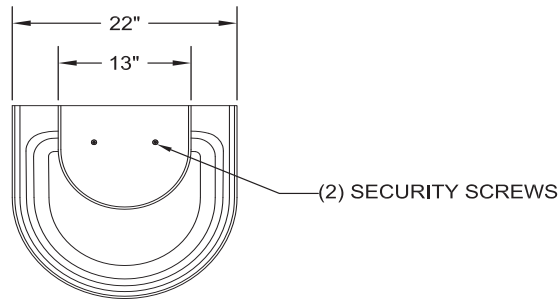
- LSDM Liquid Soap Dispenser- Deck-mounted Spout and Bottle
- TL Less In-line Thermostatic Mixing Valve
- LSH 1.5 gpm Laminar Flow Sprayhead
- Other _____
- Other _____

*(Req. 110V power through ground fault interrupter (GFCI) receptacle)

**LIGATURE-RESISTANT DISCLAIMER

This product is designed to minimize ligature points. While every effort has been made to reduce the possibility of ligature points, this product does not eliminate all risks. Ligature-Resistant products by Willoughby Industries are to be used in conjunction with, not as a replacement for, trained professionals.

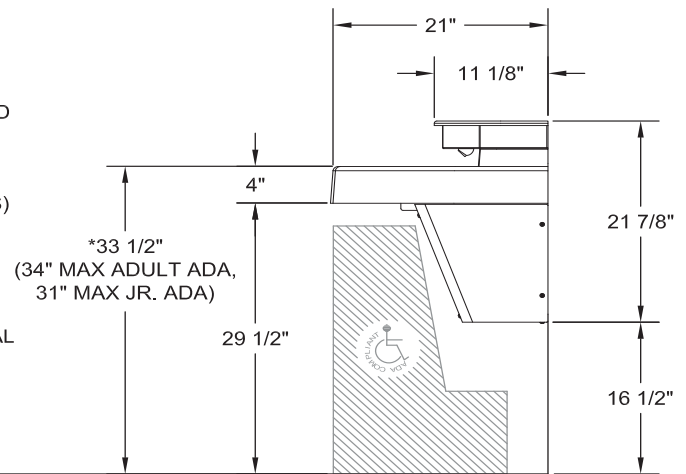
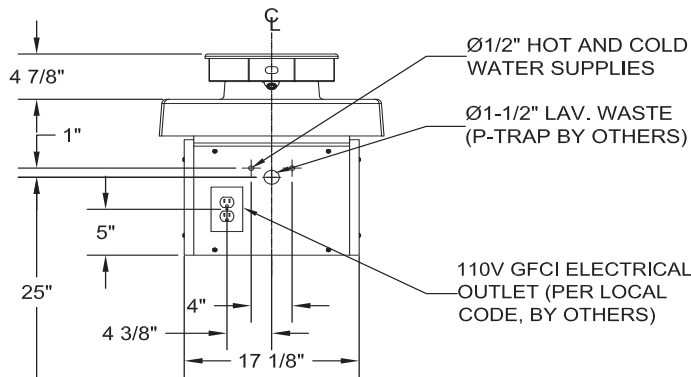
Approved For Manufacturing By: _____ Date: _____ Company: _____
 Wall Thickness: _____ Wall Type: _____



 IN COMPLIANCE WITH A.D.A. 2010

*NOTE: 33 1/2" RIM HEIGHT SHOWN (34" MAX ADULT ADA), ADJUST DIMENSIONS ACCORDINGLY FOR ALTERNATE HEIGHTS

VERIFY ALL DIMENSIONS WITH FACTORY PRIOR TO ROUGH-IN
 WILLOUGHBY RESERVES THE RIGHT TO MAKE CHANGES IN DESIGN AND DIMENSIONS WITHOUT FORMAL NOTICE AND WITHOUT INCURRING OBLIGATION.



FINISHED FLOOR

visit our website at www.willoughby-ind.com
 5105 West 78th Street • Indianapolis, IN. 46268
 (317) 875-0830 • Fax: (317) 875-0837 • (800) 428-4065



MADE IN THE U.S.A.