

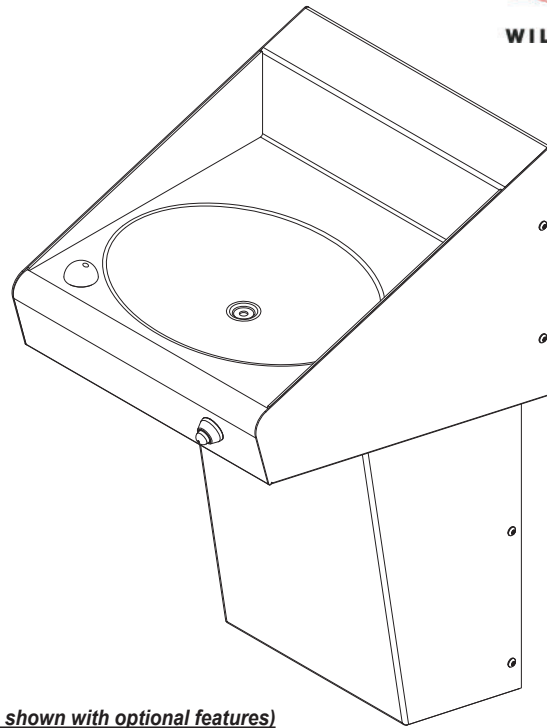


## WBDF-1519-HC-FA Stainless Steel Ligature-resistant Front Mounted Behavioral Drinking Fountain

PATENT PENDING



IN COMPLIANCE  
WITH A.D.A. 2010  
& C.B.C. 2019, 11B



*(Unit may be shown with optional features)*

To specify fixture and accessories, use the Model Number and Options page.

Example: To specify a Ligature-resistant Front Access Stainless Steel Behavioral Drinking Fountain with ligature-resistant bubbler, single temp. non-metering pneumatic valve, ligature-resistant pneumatic push button, and removable P-trap waste

Use the following Willoughby Model Number:

**WBDF-1519-HC-FA-DMBH-PSL1-PBH-RPT**

### Recommended Specifications

Stainless Steel, Ligature-resistant, Front Mounted, Behavioral Drinking Fountain shall be:

Willoughby Model No. **WBDF-1519-HC-FA**

(Select from model number and options list on next page)

Wall-hung angular profile fixture shall accommodate one user and is designed to minimize ligature points. Fixture shall be fabricated from 14GA./16GA. Type 304 stainless steel. The construction shall consist of an all-welded lavatory cabinet and all-welded trap enclosure, with exposed stainless surfaces polished to a #4 satin finish.

Standard drinking fountain shall include:

- Oval-shaped basin, 13" x 9-1/2" x 1-1/2" deep
- Stainless steel ligature-resistant bubbler
- Slow drain w/ air vent
- Removable P-trap (1-1/2" F.I.P.)
- Angular profile with sloped top
- Removable trap enclosure attached with security screws

#### Vandal Resistance/Safety Features:

The bubbler, push buttons, and slow drain are non-removable from the user-side and are designed to minimize ligature points. Valve, water supplies, and waste connection are concealed within the trap enclosure. All exposed fasteners shall be vandal-resistant security type screws.

#### ADA, ANSI, and CBC Compliant:

When the drinking fountain is mounted at the standard adult rim height for fountains, it is designed to comply with all applicable ADA, ANSI (Z124.3 and Z124.6), and CBC (2019, Ch. 11B) accessibility guidelines.

#### Mounting:

Anchoring shall be from the front with mounting plate with anchoring holes. Unit does not require chase area for installation and maintenance; proper backing and anchoring hardware for drinking fountain mounting provided by others.

#### LIGATURE-RESISTANT DISCLAIMER

This product is designed to minimize ligature points. While every effort has been made to reduce the possibility of ligature points, this product does not eliminate all risks. Ligature-Resistant products by Willoughby Industries are to be used in conjunction with, not as a replacement for, trained professionals.



**WARNING:** Cancer and Reproductive Harm

- [www.P65Warnings.ca.gov](http://www.P65Warnings.ca.gov)



MADE IN THE U.S.A.

visit our website at [www.willoughby-ind.com](http://www.willoughby-ind.com)  
5105 West 78th Street • Indianapolis, IN. 46268  
(317) 875-0830 • Fax: (317) 875-0837 • (800) 428-4065

# MODEL NUMBER AND OPTIONS:

**1.) Base Model Number:**

- WBDF-1519-HC-FA      Stainless Steel, Ligature-resistant, Front Mounted, Behavioral Drinking Fountain

**2.) Bubblers Selection:**

- DMBH      Ligature-resistant Deck Mounted Bubbler (Standard)

**3.) Valve Selection:**

- PSL1      Single Temp. Pneumatic Non-metering (Standard)

**4.) Push Button Selection:**

- PBH      Ligature-resistant Pneumatic Push Button (Standard)

**5.) Drinking Fountain Waste:**

- RPT      Removable P-trap (Standard)  
 SLOW      Slow Drain (Standard)

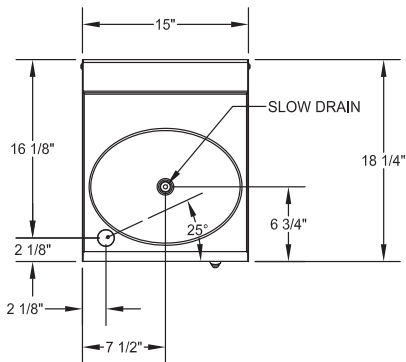
**6.) Other Options:**

- MT      Wall Template  
 DC      Decorator Color (White)  
 Other: \_\_\_\_\_  
 Other: \_\_\_\_\_

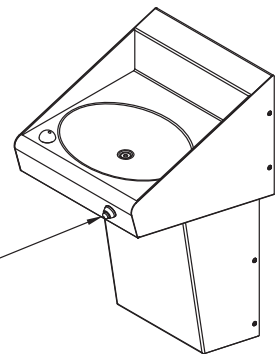
**PATENT PENDING**

Approved For Manufacturing By: \_\_\_\_\_ Date: \_\_\_\_\_ Company: \_\_\_\_\_  
 Wall Thickness: \_\_\_\_\_ Wall Type: \_\_\_\_\_

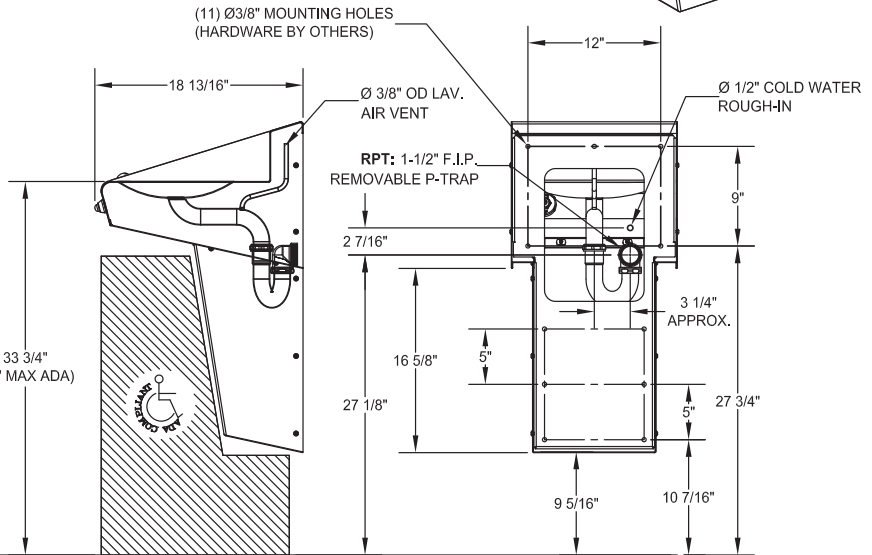
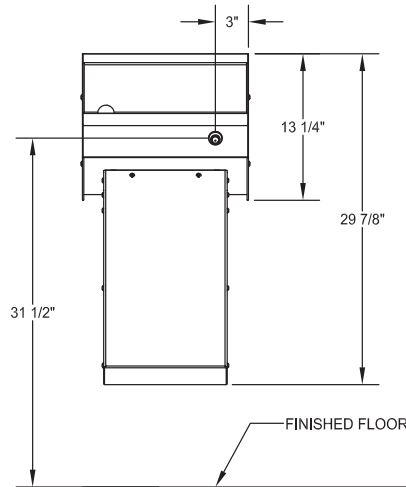
**VERIFY ALL DIMENSIONS WITH FACTORY PRIOR TO ROUGH-IN**  
 WILLOUGHBY RESERVES THE RIGHT TO MAKE CHANGES IN DESIGN AND DIMENSIONS WITHOUT FORMAL NOTICE AND WITHOUT INCURRING OBLIGATION.



**IN COMPLIANCE WITH**  
 A.D.A. 2010  
 C.B.C. 2019, 11B



DMBH: DECK MOUNTED  
 LIGATURE-RESISTANT BUBBLER



visit our website at [www.willoughby-ind.com](http://www.willoughby-ind.com)  
 5105 West 78th Street • Indianapolis, IN. 46268  
 (317) 875-0830 • Fax: (317) 875-0837 • (800) 428-4065



MADE IN THE U.S.A.