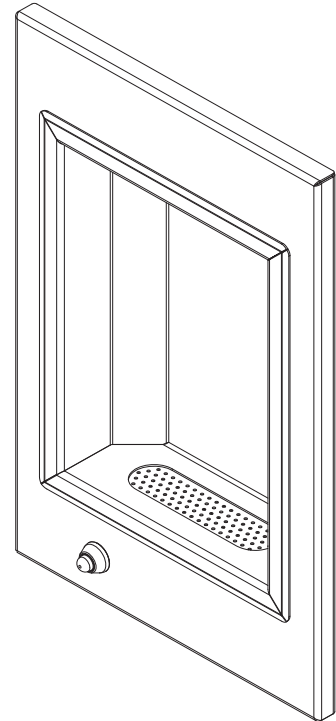


## WBF-1RM Series Stainless Steel Rear Mounted Heavy Duty Ligature-Resistant Bottle Filler



### Recommended Specifications

Stainless Steel, Rear Mounted, Heavy Duty, Ligature-Resistant, Bottle Filler shall be:  
Willoughby Model No. **WBF-1RM**.

Model **WBF-1RM** bottle filler shall be constructed of a vandal resistant with 14 gauge, type 304 stainless steel.

Filler spout shall be activated by a solid stainless steel pushbutton assembly which controls a lead-free, self-closing valve. Pushbutton operation shall require less than 5 lbs. of force to activate.

Flow controls (1.0 GPM) are used to ensure adequate flow without being wasteful.

Model **WBF-1RM** bottle filler shall be lead-free and in compliance with ANSI/NSF 61, Section 9 requirements.

Anchoring shall be by standard 4-point system.  $\varnothing 1/2$ " threaded rods, nuts and washers shall be furnished for walls up to 8" thick.

To specify fixture and options, use the Model Number and Options page.

Example: To specify a WBF-1RM rear mounted heavy duty ligature-resistant bottle filler with single temp pneumatic non-metering valve, and standard ligature-resistant pneumatic push button.

Use the following Willoughby Model Number: WBF-1RM-PSL1-PBH

- \* Simple, vandal-resistant pushbutton
- \* Quick, 1-gallon-per-minute fill rate
- \* Standard heavy duty type 304 14 Ga. stainless steel
- \* Solid stainless steel vandal resistant anti-rotation filler spout
- \* Promotes use of environmentally friendly refillable bottles, reducing use of disposable bottles
- \* Compliant to ADA reach height guidelines

#### LIGATURE-RESISTANT DISCLAIMER

This product is designed to minimize ligature points. While every effort has been made to reduce the possibility of ligature points, this product does not eliminate all risks. Ligature-Resistant products by Willoughby Industries are to be used in conjunction with, not as a replacement for, trained professionals.



**WARNING:** Cancer and Reproductive Harm

- [www.P65Warnings.ca.gov](http://www.P65Warnings.ca.gov)



MADE IN THE U.S.A.

visit our website at [www.willoughby-ind.com](http://www.willoughby-ind.com)  
5105 West 78th Street • Indianapolis, IN. 46268  
(317) 875-0830 • Fax: (317) 875-0837 • (800) 428-4065

# MODEL NUMBER AND OPTIONS:

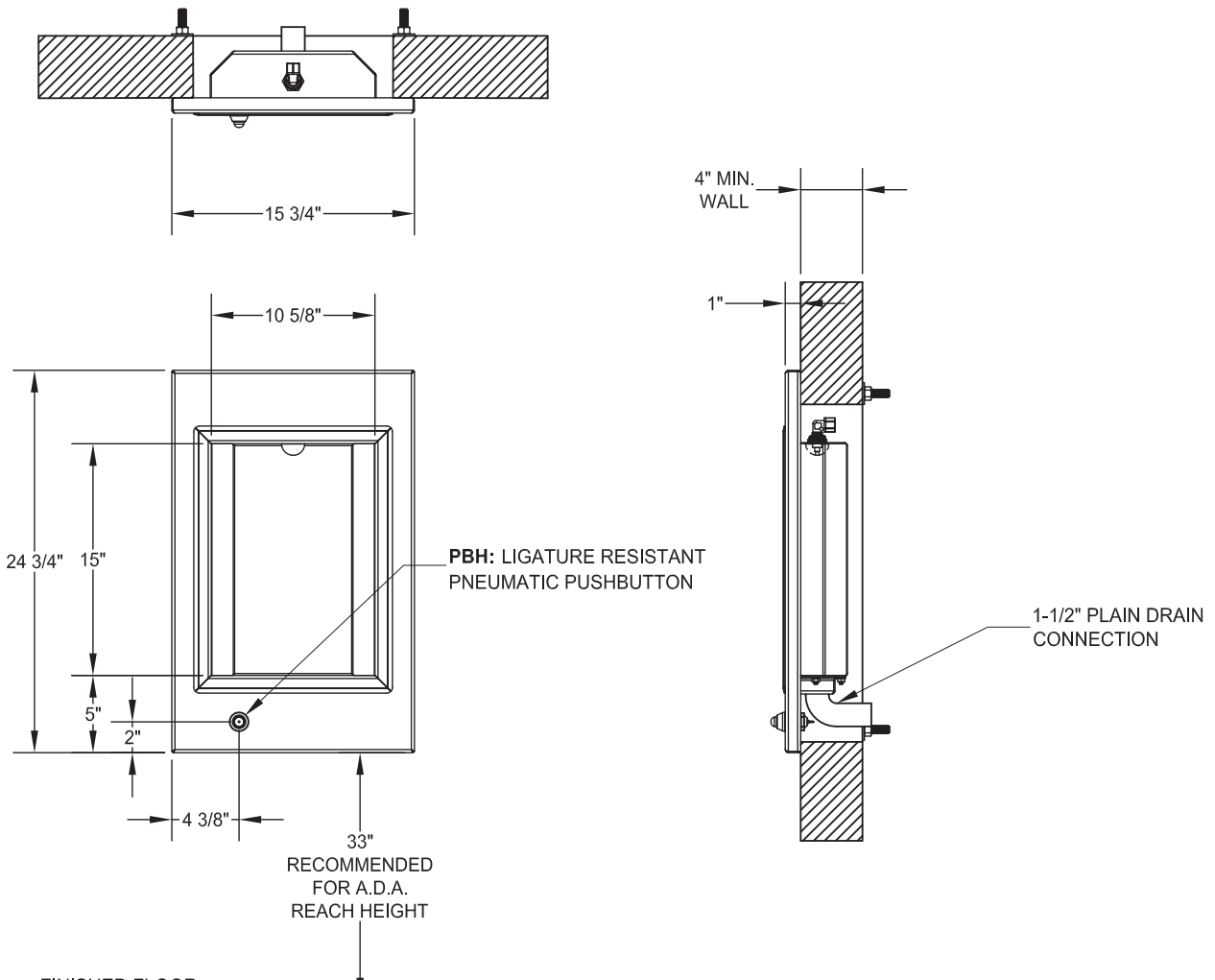
**1.) Type:**

- WBF-1RM-PSL1-PBH    Stainless Steel, Rear Mounted,  
Heavy Duty, Ligature-Resistant,  
Bottle Filler

**2.) Option:**

- WS    Wall Sleeve

Approved For Manufacturing By: \_\_\_\_\_ Date: \_\_\_\_\_ Company: \_\_\_\_\_  
Wall Thickness: \_\_\_\_\_ Wall Type: \_\_\_\_\_



**VERIFY ALL DIMENSIONS WITH FACTORY PRIOR TO ROUGH-IN**  
 WILLOUGHBY RESERVES THE RIGHT TO MAKE CHANGES IN DESIGN AND DIMENSIONS WITHOUT FORMAL NOTICE AND WITHOUT INCURRING OBLIGATION.

visit our website at [www.willoughby-ind.com](http://www.willoughby-ind.com)  
 5105 West 78th Street • Indianapolis, IN. 46268  
 (317) 875-0830 • Fax: (317) 875-0837 • (800) 428-4065



MADE IN THE U.S.A.