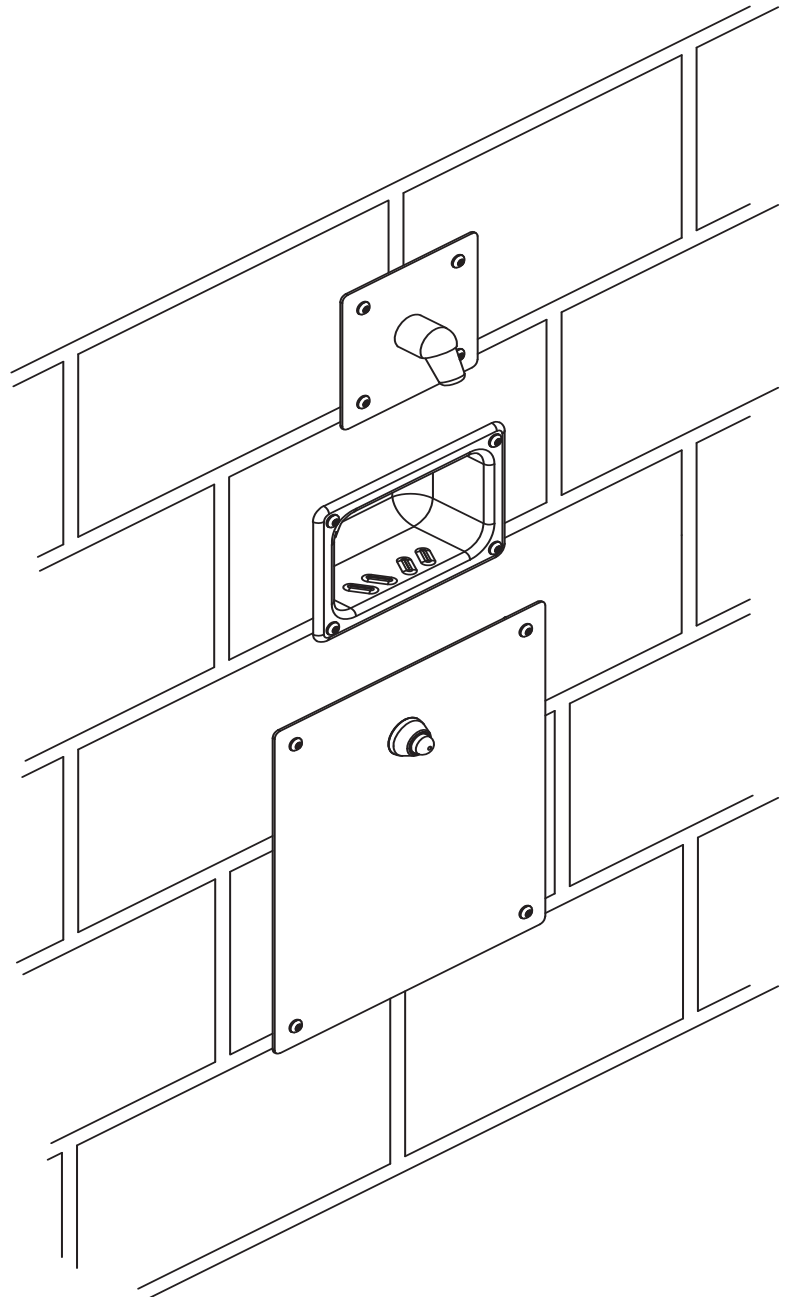


## WBIS-FA Series Front Mounted Built-In Shower



### Recommended Specifications

Front Mounted Built-In Shower shall be:  
Willoughby Model No. **WBIS-FA**  
(Select from model number and options list on next page)

Shower head and valve push button face plates shall be fabricated from 14 gauge, Type 304 stainless steel with exposed surfaces polished to a #4 satin finish.

Standard equipment shall include:  
- Shower valve (from Valve Selection options list)  
- (NPS) non-adjustable penal shower head

Anchoring of stainless steel panels shall be from the front.  
Wall anchors by others.

### Handicap Accessible:

The WBIS-FA can be installed to conform to most ADA requirements.  
(Compliance shall be subject to the requirements of the local code authority based on installation-specific details and is the responsibility of the installer.)

Optional WaterSense Labeled ligature-resistant shower head available (LRSH).

*(Unit may be shown with optional features)*

To specify fixture and accessories, use the Model Number and Options page.

Example: To specify a Front Mounted Built-In Shower with single temp. pneumatic metering valve, standard ligature-resistant pneumatic push button, standard 2.5 GPM flow rate, standard (NPS) shower head, and wall mounted recessed soap dish

Use the following Willoughby Model Number:

**WBIS-FA-PML1-PBH-2.5GPM-NPS-RSD2**



**WARNING:** Cancer and Reproductive Harm

- [www.P65Warnings.ca.gov](http://www.P65Warnings.ca.gov)

visit our website at [www.willoughby-ind.com](http://www.willoughby-ind.com)  
5105 West 78th Street • Indianapolis, IN. 46268  
(317) 875-0830 • Fax: (317) 875-0837 • (800) 428-4065



MADE IN THE U.S.A.

# MODEL NUMBER AND OPTIONS:

## 1.) Base Model Number:

- WBIS-FA Front Mounted Built-in Shower

## 2.) Valve Selection:

- NV No Valve (Provided by Others)  
 Special Hole Punching Dimension:
- PML1 Single Temp. Pneumatic Metering Ⓢ Ⓜ  
 PML2 Dual Temp. Pneumatic Metering Ⓢ Ⓜ  
 E1L1 Single Temp. Electronic (Pick Control)\* Ⓢ Ⓜ  
 E1L2 Dual Temp. Electronic (Pick Control)\* Ⓢ Ⓜ  
 PBV Pressure-Balancing Mixing Valve  
 TPV Temperature/Pressure-Balancing Mixing Valve  
 TPLR Ligature-resistant Temp/Pressure-balancing Mixing Valve Ⓜ  
 SVC Single Temp. Compression Valve  
 DVC Dual Temp. Compression Valves  
 MA2 **Valve Manifold Option (Pneumatic or Electronic Valves Only):**  
*(See the Manifold Option Page at the end of Catalog Section S5 for further information)*

## 3.) Push Button Selection:

- Pneumatic or Electronic Valves Only:*
- PBH Ligature-resistant Pneumatic Push Buttons Ⓢ Ⓜ  
 PZPB Ligature-resistant Piezo Electronic Push Buttons\* Ⓢ Ⓜ

## 4.) Flow Rates:

- 2.5 GPM (Standard)     2.0 GPM     1.5 GPM

## 5.) Electronic Control\* (Must Use Electronic Push Button):

- WUSC-2200     WUSC-2400     Pneumatic     WMS II\*\*

## 6.) Shower Head Selection:

- APS Adjustable Vandal-resistant Shower Head  
 NPS Non-Adjustable Vandal-resistant Shower Head (Standard) Ⓢ  
 UBJ Universal Ball Joint Shower Head (2.0 GPM Flow Rate only)  
 LBJ Lockable Ball Joint Shower Head (2.0 GPM Flow Rate only)  
 CSH Ligature-resistant Shower Head Ⓢ Ⓜ  
 LRSH Ligature-resistant Shower Head, WaterSense Labeled Insert (1.5 GPM & 2.0 GPM Flow Rate only) Ⓜ  
 FX Hand-held Flexshower Head (w/ quick disconnect, vacuum breaker, and (1) hook)  
 LRFX Ligature-resistant Quick Disconnect Hand Held Shower Ⓜ

## 7.) Other Options:

- TF24H Hard-wired Transformer, 110VAC to 24VAC\*  
 TF24P Plug-in Transformer, 110VAC to 24VAC\*  
 TMV Inline Thermostatic Mixing Valve  
 SD Surface Mounted Soap Dish (Wall Mounted)  
 RSD2 Recessed Soap Dish (In-Wall Mounted) Ⓢ Ⓜ  
 HL Hi-Lo (2 Hooks For Flexshower, Wall Mounted)  
 SLB24 24" Adjustable Slide Bar (for Flexshower, Wall Mounted)  
 Other \_\_\_\_\_

\* (Req. 110V power through ground fault interrupter (GFCI) receptacle / breaker)

\*\* (Req. remote accessible area for mounting)

Ⓢ For security applications

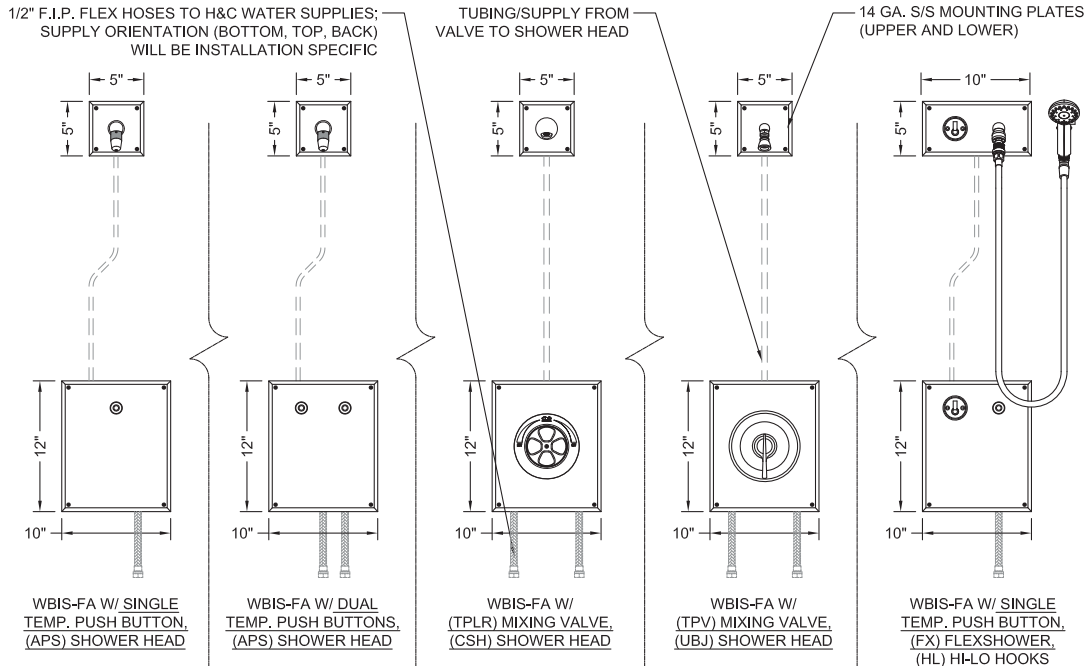
Ⓜ Ligature-resistant option\*\*

## \*\*LIGATURE-RESISTANT DISCLAIMER

This product is designed to minimize ligature points. While every effort has been made to reduce the possibility of ligature points, this product does not eliminate all risks. Ligature-Resistant products by Willoughby Industries are to be used in conjunction with, not as a replacement for, trained professionals.

Approved For Manufacturing By: \_\_\_\_\_ Date: \_\_\_\_\_ Company: \_\_\_\_\_  
 Wall Thickness: \_\_\_\_\_ Wall Type: \_\_\_\_\_

## WBIS-FA - POSSIBLE FIXTURE CONFIGURATIONS:



NOTE: CERTAIN ACCESSORIES SUCH AS SOAP DISHES, GRAB BARS, AND FLEXSHOWER ACCESSORIES WILL BE WALL MOUNTED

NOTE: CUTOUTS REQUIRED FOR ALL MOUNTING PLATES

VERIFY ALL DIMENSIONS WITH FACTORY PRIOR TO ROUGH-IN  
 WILLOUGHBY RESERVES THE RIGHT TO MAKE CHANGES IN DESIGN AND DIMENSIONS WITHOUT FORMAL NOTICE AND WITHOUT INCURRING OBLIGATION.

visit our website at [www.willoughby-ind.com](http://www.willoughby-ind.com)  
 5105 West 78th Street • Indianapolis, IN. 46268  
 (317) 875-0830 • Fax: (317) 875-0837 • (800) 428-4065



MADE IN THE U.S.A.