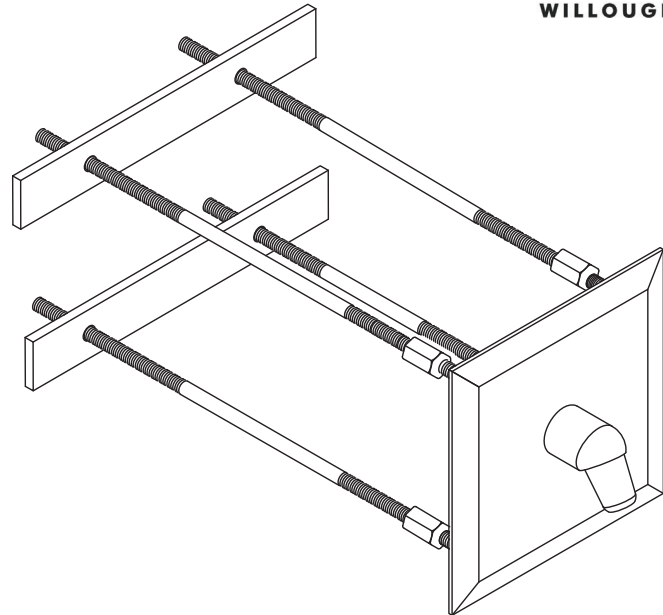


WBIS Series Rear Mounted Built-In Shower



Recommended Specifications

Rear Mounted Built-In Shower shall be:
Willoughby Model No. **WBIS**
(Select from model number and options list on next page)

Shower head and valve push button face plates shall be fabricated from 14 gauge, Type 304 stainless steel with exposed stainless surfaces polished to a #4 satin finish.

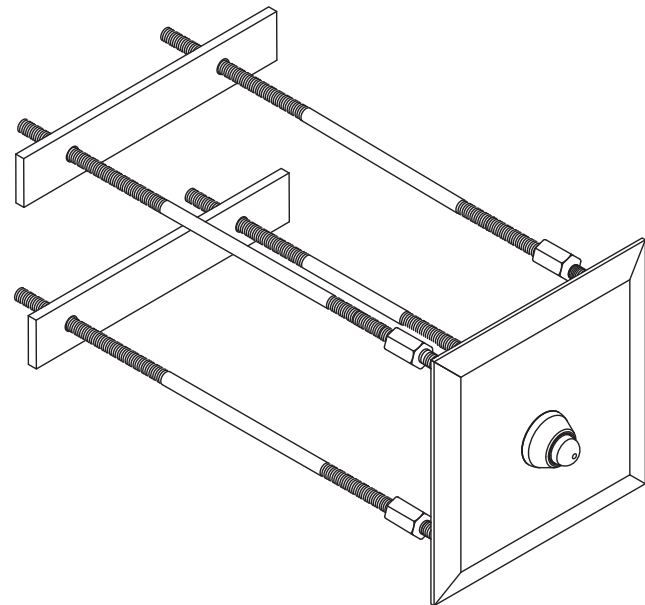
Standard equipment shall include:
- Shower valve (Select from Valve Selection options list)
- (NPS) non-adjustable penal shower head

Anchoring of each component shall be by standard 4-point system: 1/4" threaded rods, nuts and backing bars furnished for walls up to 8" thick. Unit requires chase area for installation and maintenance.

Handicap Accessible:

The WBIS can be installed to conform to most ADA requirements.
(Compliance shall be subject to the requirements of the local code authority based on installation-specific details and is the responsibility of the installer.)

Optional WaterSense Labeled ligature-resistant shower head available (LRSH).



(Unit may be shown with optional features)

To specify fixture and accessories, use the Model Number and Options page.

Example: To specify a Rear Mounted Built-In Shower with single temp. pneumatic metering valve, standard ligature-resistant pneumatic push button, 2.5 GPM flow rate, standard (NPS) shower head, in-line thermostatic mixing valve, and separate recessed mounted soap dish

Use the following Willoughby Model Number:

WBIS-PML1-PBH-2.5GPM-NPS-TMV-RSD1



WARNING: Cancer and Reproductive Harm

- www.P65Warnings.ca.gov



MADE IN THE U.S.A.

visit our website at www.willoughby-ind.com
5105 West 78th Street • Indianapolis, IN. 46268
(317) 875-0830 • Fax: (317) 875-0837 • (800) 428-4065

MODEL NUMBER AND OPTIONS:

1.) Base Model Number:

- WBIS Rear Mounted Built-In Shower

2.) Valve Selection:

- NV No Valve (Provided by Others)
 Special Hole Punching Dimension:
- PML1 Single Temp. Pneumatic Metering Ⓢ Ⓣ
 PML2 Dual Temp. Pneumatic Metering Ⓢ Ⓣ
 E1L1 Single Temp. Electronic (Pick Control)* Ⓢ Ⓣ
 E1L2 Dual Temp. Electronic (Pick Control)* Ⓢ Ⓣ
 MA2 **Valve Manifold Option** (Pneumatic or Electronic Valves Only):
(See the Manifold Option Page at the end of Catalog Section S5 for further information)

3.) Push Button Selection:

- Pneumatic or Electronic Valves Only:*
- PBH Ligature-resistant Pneumatic Push Buttons Ⓢ Ⓣ
 PZPB Ligature-resistant Piezo Electronic Push Buttons* Ⓢ Ⓣ

4.) Flow Rates:

- 2.5 GPM (Standard) 2.0 GPM 1.5 GPM

5.) Electronic Controls* (Must Use Electronic Push Button):

- WUSC-2200 WUSC-2400 Pneutronic WMS II

6.) Shower Head Selection:

- NPS Non-adjustable Penal Shower Head (Standard) Ⓢ
 APS Adjustable Penal Shower Head
 CSH Ligature-resistant Shower Head Ⓢ Ⓣ
 LRSH Ligature-resistant Shower Head, WaterSense Labeled Insert (1.5 GPM & 2.0 GPM Flow Rate only) Ⓣ

7.) Options:

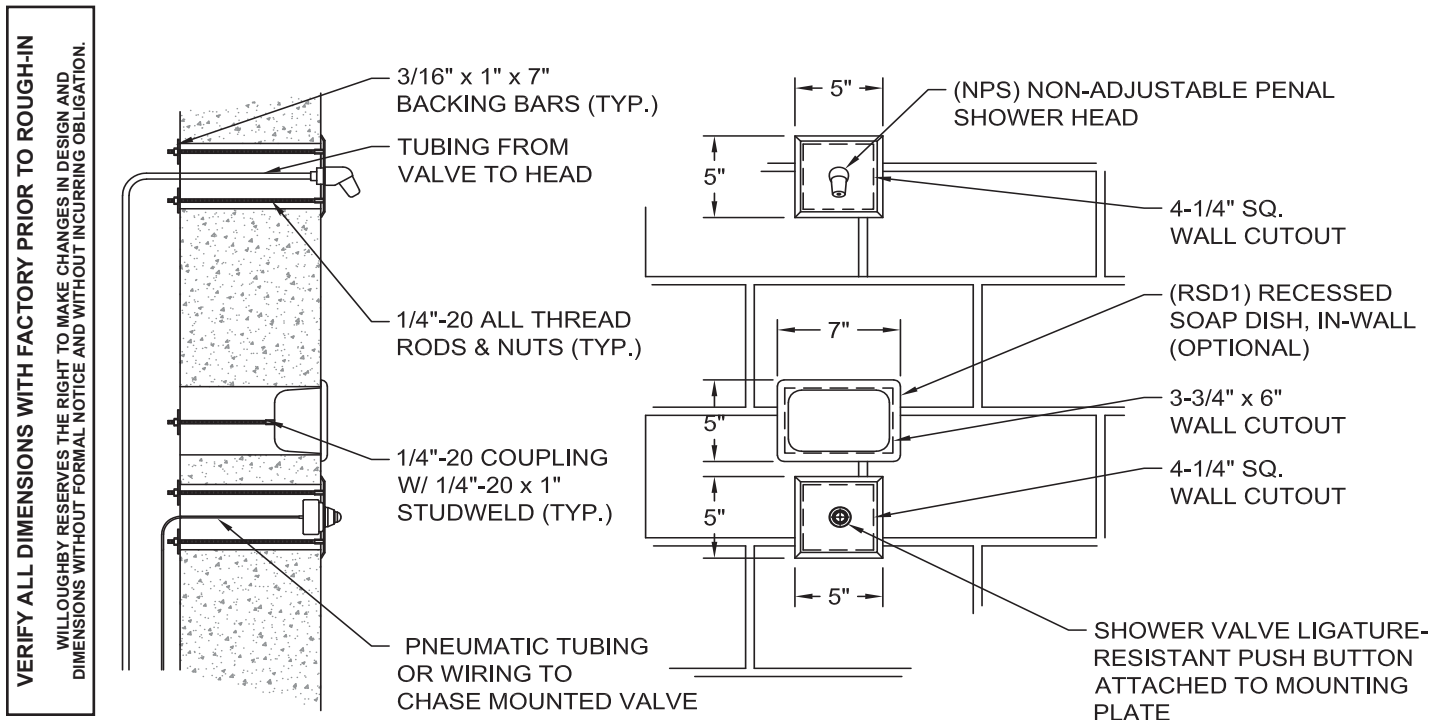
- TMV In-line Thermostatic Mixing Valve
 TF24H Hard-wired Transformer, 110VAC to 24VAC*
 TF24P Plug-in Transformer, 110VAC to 24VAC*
 SD Surface Mounted Soap Dish (Wall Mounted)
 RSD1 Recessed Soap Dish (In-Wall Mounted) Ⓢ Ⓣ
 Other _____
 Other _____

*(Req. 110V power through ground fault interrupter (GFCI) receptacle / breaker)
 Ⓢ For security applications
 Ⓣ Ligature-resistant option**

**LIGATURE-RESISTANT DISCLAIMER

This product is designed to minimize ligature points. While every effort has been made to reduce the possibility of ligature points, this product does not eliminate all risks. Ligature-Resistant products by Willoughby Industries are to be used in conjunction with, not as a replacement for, trained professionals.

Approved For Manufacturing By: _____ Date: _____ Company: _____
 Wall Thickness: _____ Wall Type: _____



visit our website at www.willoughby-ind.com
 5105 West 78th Street • Indianapolis, IN. 46268
 (317) 875-0830 • Fax: (317) 875-0837 • (800) 428-4065



MADE IN THE U.S.A.