

WBS-ADA-WH Series Wide Housing ADA-Compliant Surface Mounted Wall Shower



Recommended Specifications

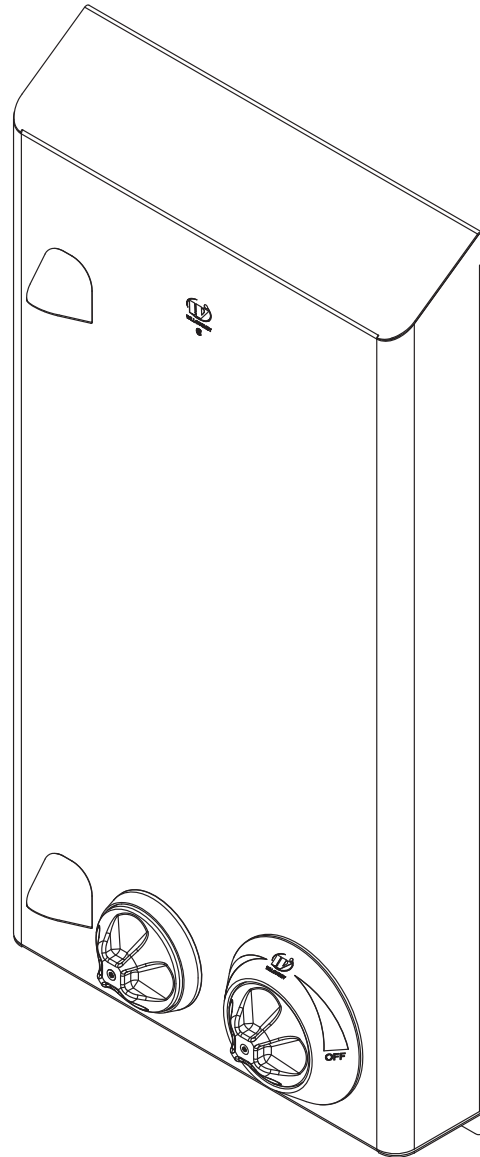
Wide Housing, ADA-Compliant, Surface Mounted Wall Shower shall be: Willoughby Model No. **WBS-ADA-WH** (Select from model number and options list on next page)

Shower cabinet shall be fabricated from 16 gauge, Type 304 stainless steel, with exposed stainless surfaces polished to a #4 satin finish.

Standard equipment shall include:

- Shower valves and appropriate controls (from Valve Selection options)
- (2) (LRSH) Ligature-resistant shower heads, WaterSense Labeled 2.0 GPM flow rate
- Ligature-resistant sloped cabinet top and bottom
- Z-clip mounting bracket

Anchoring shall be by Z-clip and bottom flange with anchoring hardware by others. Shower unit shall be factory assembled, tested for proper operation, and ready for installation by a contractor. Unit requires no chase area for installation and maintenance.



RIGHT HAND CONTROL FIXTURE SHOWN
(Unit may be shown with optional features)

To specify fixture and accessories, use the Model Number and Options page.

Example: To specify a Wide Housing, ADA-Compliant, Surface Mounted Wall Shower with Right Hand controls, pressure-balancing valve, diverter valve, 1.5 GPM flow rate, APS and FX shower heads, and surface mounted soap dish

Use the following Willoughby Model Number:

WBS-ADA-WH-R-TPLR-DVLR-LRSH-2HD



WARNING: Cancer and Reproductive Harm

- www.P65Warnings.ca.gov

visit our website at www.willoughby-ind.com
5105 West 78th Street • Indianapolis, IN. 46268
(317) 875-0830 • Fax: (317) 875-0837 • (800) 428-4065



MADE IN THE U.S.A.

MODEL NUMBER AND OPTIONS:

1.) Base Model Number:

- WBS-ADA-WH Ligature-resistant Wide Housing
 ADA-Compliant Surface Mounted Behavioral
 Wall Shower

2.) Panel Orientation (Must Specify):

- L Left Hand Controls
 R Right Hand Controls

3.) Valve Selection:

- NV No Valve (Provided by Others)
 Special Hole Punching Dimension:
- PML1 Single Temp. Pneumatic Metering
 PML2 Dual Temp. Pneumatic Metering
 E1L1 Single Temp. Electronic (Pick Control)*
 E1L2 Dual Temp. Electronic (Pick Control)*
 TPLR Ligature-resistant Temperature/Pressure-Balancing Mixing Valve
 MA2 **Valve Manifold Option** (Pneumatic or Electronic Valves Only):
 (See the Manifold Option Page at the end of
 Catalog Section C14 for further information)

4.) Diverter Valve:

- DVLR Ligature-resistant Diverter Valve
 PML1-MA2 Two Single Temp. Pneumatic Metering Valves
 (Used to divert water flow to either upper, lower, or both
 shower heads; for use with Mixing Valve options above)

5.) Push Button Selection:

- Pneumatic or Electronic Valves Only:*
- PBH Ligature-resistant Pneumatic Push Buttons
 PZPB Ligature-resistant Piezo Electronic Push Buttons*

6.) Flow Rates:

- 2.5 GPM 2.0 GPM 1.5 GPM

7.) Electronic Control* (Must Use Electronic Push Button):

- WUSC-2200 WUSC-2400 Pneumatic WMS II

8.) Shower Head Selection:

- LRSH Ligature-resistant Shower Head, WaterSense Labeled Insert
 (1.5 GPM & 2.0 GPM Flow Rate only) (Standard)
 CSH Ligature-resistant Shower Head
 LRFX Ligature-resistant Quick Disconnect Hand Held Shower
 2HD Dual Fixed Shower Heads (Standard)

9.) Other Options:

- TF24H Hard-wired Transformer, 110VAC to 24VAC* (Standard)
 TF24P Plug-in Transformer, 110VAC to 24VAC*
 TMV Inline Thermostatic Mixing Valve
 RD Recessed Mounted Soap Dish (Option increases the cabinet width 7" to
 accommodate the soap dish while maintaining ADA compliance)
 PS Pipe Shroud (Specify Length): _____
 (Pipe Shroud option changes Sloped Top to Flat Top)
 Other _____

*(Req. 110V power through ground fault interrupter (GFCI) receptacle / breaker)

LIGATURE-RESISTANT DISCLAIMER

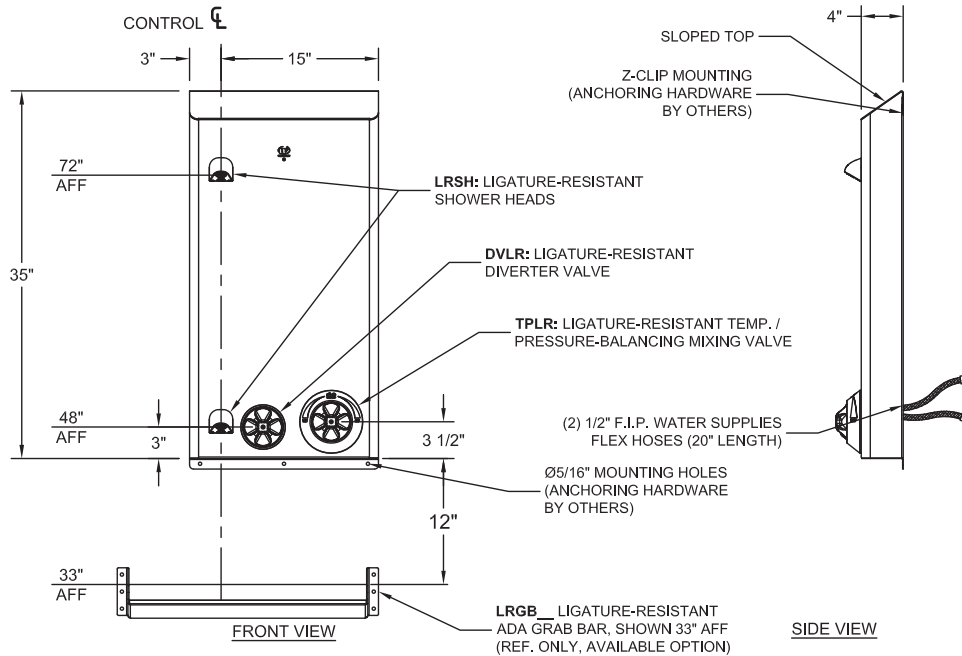
This product is designed to minimize ligature points. While every effort has been made to reduce the possibility of ligature points, this product does not eliminate all risks. Ligature-Resistant products by Willoughby Industries are to be used in conjunction with, not as a replacement for, trained professionals.

Approved For Manufacturing By: _____ Date: _____ Company: _____
 Wall Thickness: _____ Wall Type: _____



**RIGHT HAND CONTROL
 FIXTURE SHOWN**
 (LEFT HAND FIXTURE IS
 SYMMETRICALLY OPPOSITE)

VERIFY ALL DIMENSIONS WITH FACTORY PRIOR TO ROUGH-IN
 WILLOUGHBY RESERVES THE RIGHT TO MAKE CHANGES IN DESIGN AND
 DIMENSIONS WITHOUT FORMAL NOTICE AND WITHOUT INCURRING OBLIGATION.



visit our website at www.willoughby-ind.com

5105 West 78th Street • Indianapolis, IN. 46268

(317) 875-0830 • Fax: (317) 875-0837 • (800) 428-4065



MADE IN THE U.S.A.