

## WBS-HCA-WH Series Ligature-resistant Wide Housing Handicap Accessible Surface Mounted Behavioral Wall Shower



### Recommended Specifications

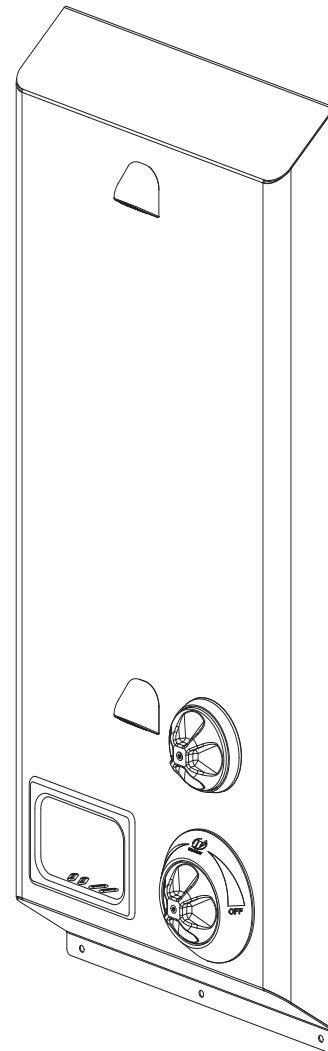
Ligature-resistant Wide Housing Handicap Accessible Surface Mounted Behavioral Wall Shower shall be: Willoughby Model No. **WBS-HCA-WH**  
(Select from Model & Options list on next page)

Shower cabinet shall be fabricated from 16 gauge, Type 304 stainless steel, with exposed stainless surfaces polished to a #4 satin finish.

Standard equipment shall include:

- Shower valves and appropriate controls (from Valve Selection options)
- (2) (LRSH) Ligature-resistant shower heads, WaterSense Labeled 2.0 GPM flow rate
- Ligature-resistant sloped cabinet top and bottom
- Z-clip mounting bracket

Anchoring shall be by Z-clip and bottom flange with anchoring hardware by others. Shower unit shall be factory assembled, tested for proper operation, and ready for installation by a contractor. Unit requires no chase area for installation and maintenance.



**RIGHT HAND CONTROL FIXTURE SHOWN**  
(Unit may be shown with optional features)

To specify fixture and accessories, use the Model Number and Options page.

Example: To specify a Ligature-resistant Wide Housing Handicap Accessible Surface Mounted Behavioral Wall Shower with Right Hand Controls, Ligature-resistant Temp/Pressure-Balancing Mixing Valve, Ligature-resistant Diverter Valve, LRSH Ligature-resistant Shower Heads, and Recessed Soap Dish

Use the following Willoughby Model Number:

**WBS-HCA-WH-R-TPLR-DVLR-LRSH-2HD-RD**

### Handicap Accessible:

The WBS-HCA-WH Behavioral Wall Shower will conform to most, but not all, ADA requirements.  
(Compliance shall be subject to the requirements of the local code authority based on installation-specific details and is the responsibility of the installer.)



**WARNING:** Cancer and Reproductive Harm

- [www.P65Warnings.ca.gov](http://www.P65Warnings.ca.gov)

visit our website at [www.willoughby-ind.com](http://www.willoughby-ind.com)  
5105 West 78th Street • Indianapolis, IN. 46268  
(317) 875-0830 • Fax: (317) 875-0837 • (800) 428-4065



MADE IN THE U.S.A.

# MODEL NUMBER AND OPTIONS:

**1.) Base Model Number:**

- WBS-HCA-WH Ligature-resistant Wide Housing Handicap Accessible Surface Mounted Behavioral Wall Shower

**2.) Panel Orientation (Must Specify):**

- L Left Hand Controls  
 R Right Hand Controls

**3.) Valve Selection:**

- NV No Valve (Provided by Others)  
 Special Hole Punching Dimension:
- PML1 Single Temp. Pneumatic Metering  
 PML2 Dual Temp. Pneumatic Metering  
 E1L1 Single Temp. Electronic (Pick Control)\*  
 E1L2 Dual Temp. Electronic (Pick Control)\*  
 TPLR Ligature-resistant Temperature/Pressure-Balancing Mixing Valve  
 MA2 **Valve Manifold Option (Pneumatic or Electronic Valves Only):**  
*(See the Manifold Option Page at the end of Catalog Section C14 for further information)*

**4.) Diverter Valve:**

- DVLR Ligature-resistant Diverter Valve  
 PML1-MA2 Two Single Temp. Pneumatic Metering Valves (Used to divert water flow to either upper, lower, or both shower heads; for use with (TPLR) valve only)  
 E1L1-MA2 Two Single Temp. Electronic Metering Valves (Used to divert water flow to either upper, lower, or both shower heads; for use with (TPLR) valve only)

**5.) Push Button Selection:** *Pneumatic or Electronic Valves Only:*

- PBH Ligature-resistant Pneumatic Push Buttons  
 PZPB Ligature-resistant Piezo Electronic Push Buttons\*

**6.) Flow Rates:**

- 2.5 GPM  2.0 GPM  1.5 GPM

**7.) Electronic Control\* (Must Use Electronic Push Button):**

- WUSC-2200  WUSC-2400  Pneutronic  WMS II

**8.) Shower Head and Flow Rate Option:**

- LRSH Dual Fixed Ligature-resistant Shower Head, WaterSense Labeled Insert (1.5 GPM & 2.0 GPM Flow Rate only) (Standard)  
Dual Fixed Ligature-resistant Shower Heads  
 CSH Ligature-resistant Quick Disconnect Hand Held Shower  
 LRFX Ligature-resistant Quick Disconnect Hand Held Shower  
 2HD Dual Fixed Shower Heads (Standard)

**9.) Other Options:**

- TF24H Hard-wired Transformer, 110VAC to 24VAC\*  
 TF24P Plug-in Transformer, 110VAC to 24VAC\*  
 TMV Inline Thermostatic Mixing Valve  
 RD Recessed Mounted Soap Dish (Cabinet Mounted)  
 RSD2 Recessed Soap Dish (In-Wall Mounted)  
 PS Pipe Shroud (Wall Mounted, Specify Length): \_\_\_\_\_  
(Pipe Shroud option changes Sloped Top to Flat Top)  
 Other \_\_\_\_\_  
 Other \_\_\_\_\_

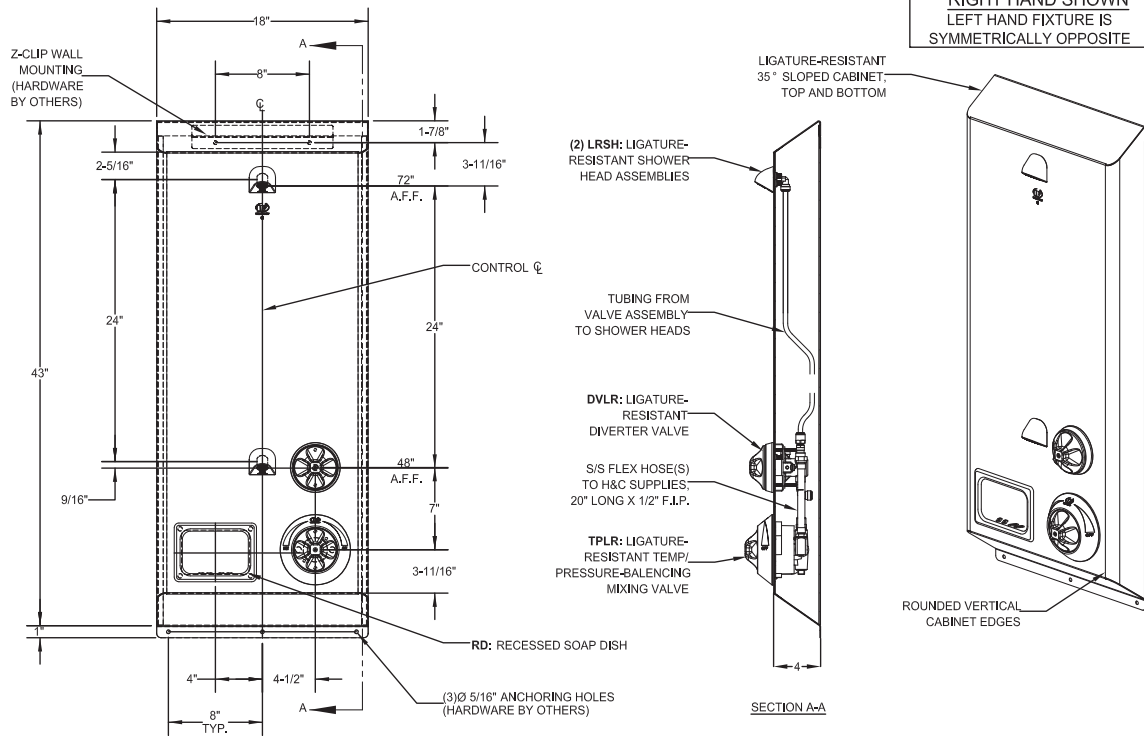
\*(Req. 110VAC power through ground fault interrupter (GFCI) receptacle / breaker)

**LIGATURE-RESISTANT DISCLAIMER**

This product is designed to minimize ligature points. While every effort has been made to reduce the possibility of ligature points, this product does not eliminate all risks. Ligature-Resistant products by Willoughby Industries are to be used in conjunction with, not as a replacement for, trained professionals.

Approved For Manufacturing By: \_\_\_\_\_ Date: \_\_\_\_\_ Company: \_\_\_\_\_  
Wall Thickness: \_\_\_\_\_ Wall Type: \_\_\_\_\_

**VERIFY ALL DIMENSIONS WITH FACTORY PRIOR TO ROUGH-IN.**  
WILLOUGHBY RESERVES THE RIGHT TO MAKE CHANGES IN DESIGN AND DIMENSIONS WITHOUT FORMAL NOTICE AND WITHOUT INCURRING OBLIGATION.



visit our website at [www.willoughby-ind.com](http://www.willoughby-ind.com)  
5105 West 78th Street • Indianapolis, IN. 46268  
(317) 875-0830 • Fax: (317) 875-0837 • (800) 428-4065



MADE IN THE U.S.A.