

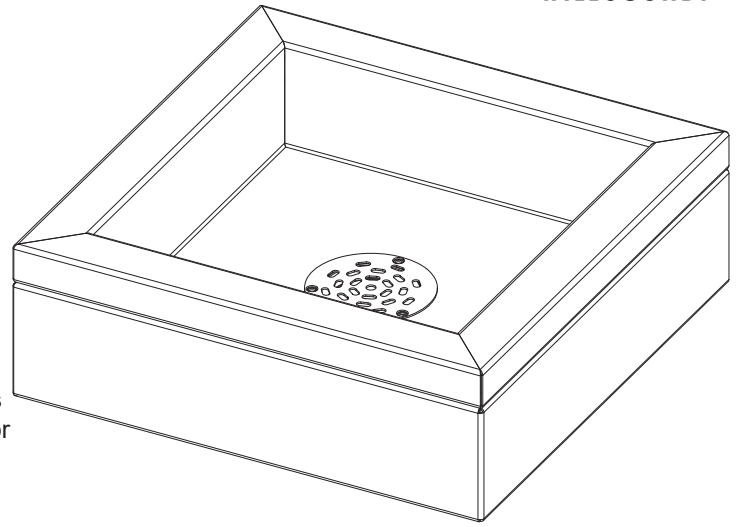
## WMS Series Mop Sink

### Recommended Specifications

Mop Sink shall be:  
Willoughby Model No. **WMS-\_\_\_**  
(select model from table above).

Entire fixture shall be fabricated from 14 GA, Type 304 stainless steel. The construction shall be all-welded, with exposed exterior stainless surfaces polished to a #4 satin finish.

Standard equipment shall include: rectangular shaped sink (as selected from table), 3" caulk drain w/ removable strainer.



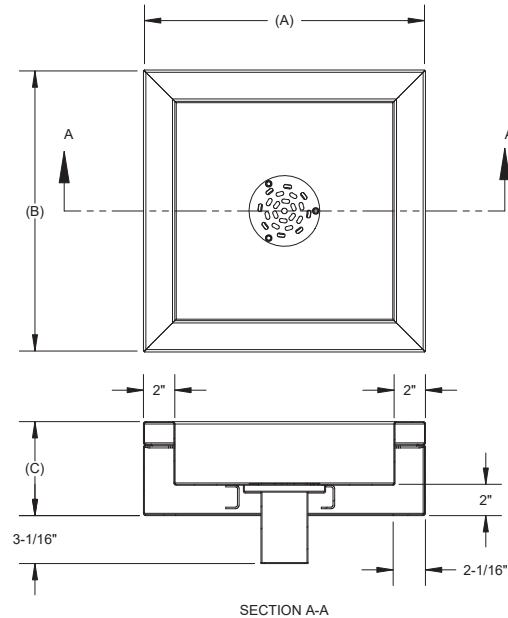
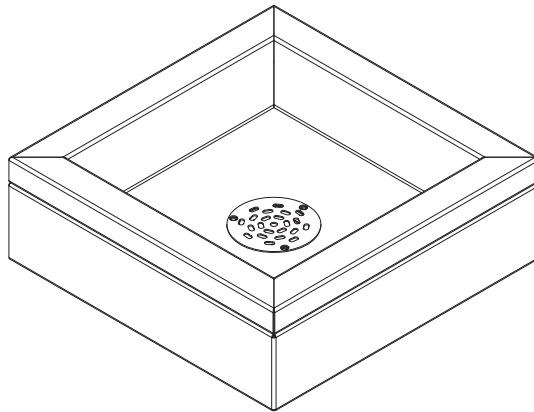
*(Unit may be shown with optional features)*

MODEL NUMBER	SIZE: A x B x C
WMS-24246	24" x 24" x 6"
WMS-242412	24" x 24" x 12"
WMS-32326	32" x 32" x 6"
WMS-323212	32" x 32" x 12"
WMS-36366	36" x 36" x 6"
WMS-363612	36" x 36" x 12"

#### Other Options:

- KH60 60" Long Hose w/ Wall Hanger
- KMH 3 Mop Hanger- Stainless Steel Bracket
- KWG24 Stainless Steel Wall Guard 12" x 24", Specify Quantity: \_\_\_
- KWG32 Stainless Steel Wall Guard 12" x 32", Specify Quantity: \_\_\_
- KWG36 Stainless Steel Wall Guard 12" x 36", Specify Quantity: \_\_\_

**VERIFY ALL DIMENSIONS WITH FACTORY PRIOR TO ROUGH-IN**  
WILLOUGHBY RESERVES THE RIGHT TO MAKE CHANGES IN DESIGN AND DIMENSIONS WITHOUT FORMAL NOTICE AND WITHOUT INCURRING OBLIGATION.



**WARNING: Cancer and Reproductive Harm**

- [www.P65Warnings.ca.gov](http://www.P65Warnings.ca.gov)

visit our website at [www.willoughby-ind.com](http://www.willoughby-ind.com)  
5105 West 78th Street • Indianapolis, IN. 46268  
(317) 875-0830 • Fax: (317) 875-0837 • (800) 428-4065



MADE IN THE U.S.A.