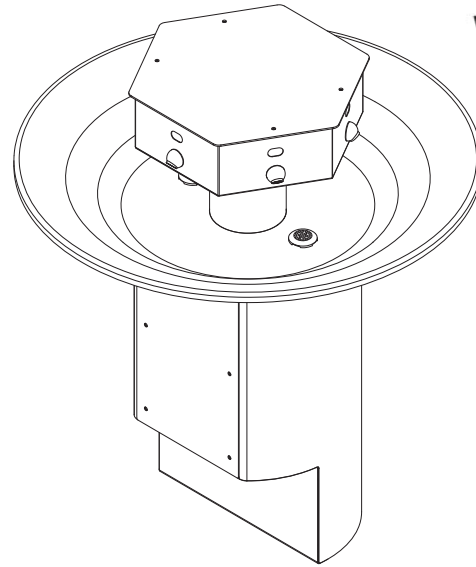


WWF-3606 Six Station Full Round 36" Stainless Steel Deep Bowl Washfountain



(Unit may be shown with optional features)

Recommended Specifications

Full Round, 36" Stainless Steel, Deep Bowl Washfountain shall be: Willoughby Model No. **WWF-3606** (select from model number and options list on next page)

Washfountain shall accommodate from 1 to 6 users simultaneously. Washfountain bowl is constructed of **12 GA. stainless steel**. Pedestal and water distribution head shall be constructed of heavy gauge, Type 304 stainless steel. Head cover shall be constructed of Aquasurf® solid surface material (Grey Granite color). Exposed stainless steel surfaces shall be polished to a #3 satin finish.

The push buttons and water spray nozzles shall be machined Type 303 stainless steel. Drain grate shall be constructed of heavy gauge stainless steel. The sprayhead module shall be equipped with independent spray nozzles; each controlled by a separate push button or infrared sensor. Flow restrictor shall maintain flow rates at 0.5 GPM per station.

All washfountains shall be supplied with thermostatic mixing valves, checkstops and strainers, drain spud, flexible supply hoses, control valves, color coded water lines and Class II, 120/24 VAC plug-in transformer (as needed)*. Operating supply water pressure range is 35-70 PSI.

Vandal resistance:

All spray nozzles, push buttons, infrared sensors and escutcheons are secured to the unit from within the sprayhead. Valves, water supplies and waste connections are concealed within the pedestal. Removable access panels are secured with vandal resistant security Torx screws. Unit is shipped pre-assembled.

To specify fixture and accessories, use the Model Number and Options page.
Example: To specify a 6 Station Full Round, 36" Stainless Steel, Deep Bowl Washfountain with standard floor mounting (34" rim height), hard-wired infrared sensors, and supplies from below
Use the following Willoughby Model Number: **WWF-3606-FLR-IR-SB**

ADA, TAS, and ANSI Compliant:

At the standard 34" adult rim height, one (1) station is designed to comply with applicable ADA, TAS, and ANSI Z124.3 and Z124.6 accessibility guidelines. The other (5) stations will comply with most, but not all, accessibility guidelines.

This excludes Floor Mounted Foot Operated (FO) models.

Optional Features:

Willoughby washfountains offer liquid soap dispensers and a stainless steel head cover as optional accessories. Willoughby washfountains can be ordered with 31" rim heights for juvenile use (JR) (Junior ADA Compliant).

* Note: Plug-in transformer must be used with a ground fault interrupter (GFCI) receptacle to prevent possible electrical shock.



WARNING: Cancer and Reproductive Harm

- www.P65Warnings.ca.gov



MADE IN THE U.S.A.

visit our website at www.willoughby-ind.com
5105 West 78th Street • Indianapolis, IN. 46268
(317) 875-0830 • Fax: (317) 875-0837 • (800) 428-4065

MODEL NUMBER AND OPTIONS:

1.) Base Model Number:

- WWF-3606 6 Station Full Round 36" Stainless Steel, Deep Bowl Washfountain

2.) Pedestal Mounting:

- FLR Floor Mounted (Standard)

3.) Junior Height Option:

- JR Junior Height (31" Rim Height, JR. ADA Compliant)

4.) Valve Actuation:

- PPB1 Standard Pneumatic Push Buttons for Single Temperature Pneumatic Metering Valves
- PZPB1 Ligature-resistant Piezo Electronic Push Buttons for Single Temperature Electronic Valves (w/ Pneutronic Control)**
- IR Infrared Sensors, Plug-in*
- BO Infrared Sensors, Battery Operated
- FO Foot Operated Pneumatic Push Buttons (Not ADA Compliant)

5.) Water Supply:

- SB Supply From Below (Standard)
- SA Supply From Above (**Option** (TSHWF) recommended)

6.) Other Options:

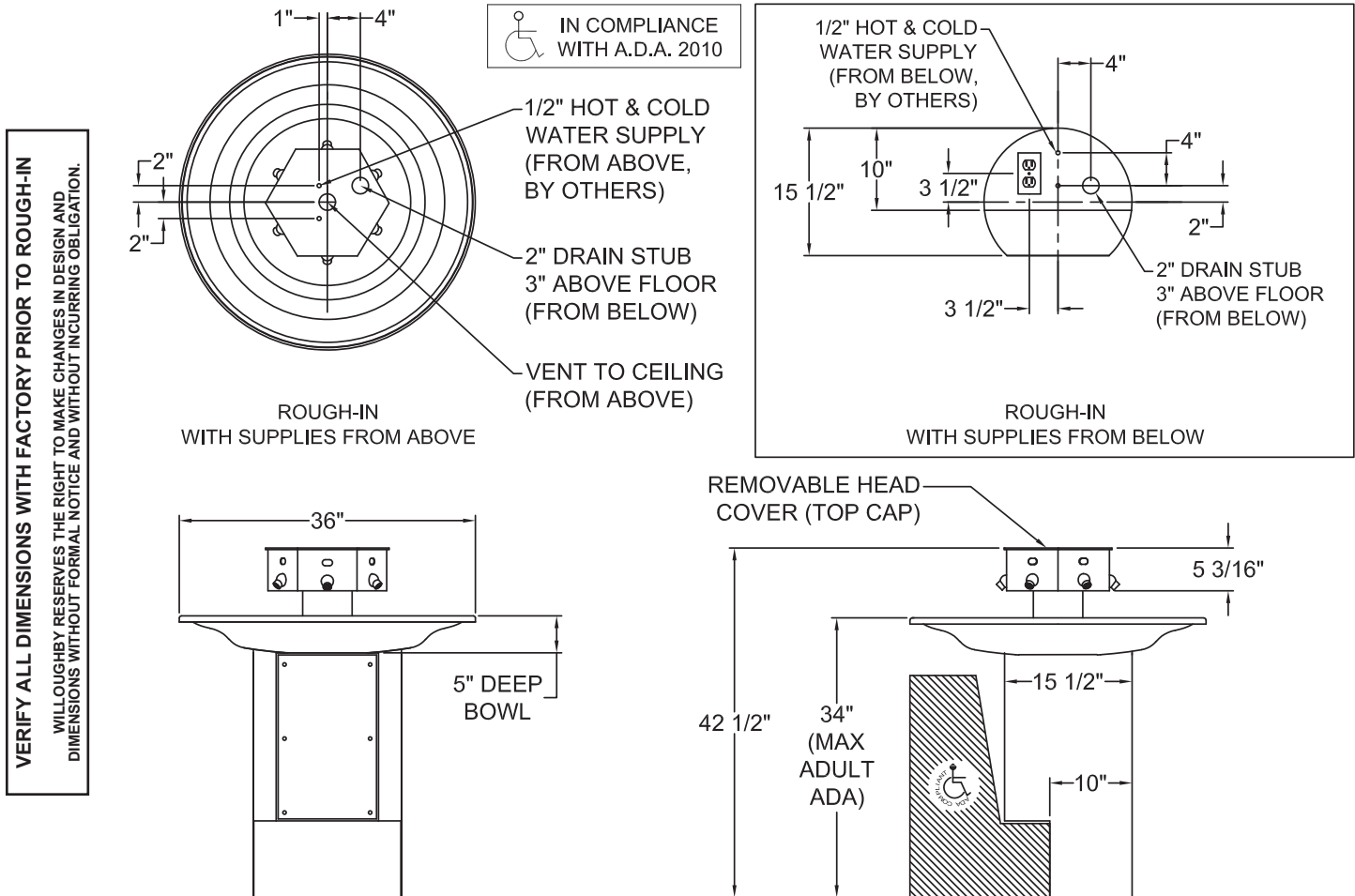
- LSD Liquid Soap Dispensers (2)
- TL Less In-line Thermostatic Mixing Valve
- SSC Stainless Steel Head Cover (Top Cap)
- TSHWF Telescoping Washfountain Shroud (For use on (SA) models only)
- LSH 1.5 gpm Laminar Flow Sprayheads
- Other _____
- Other _____

*(Req. 110V power through ground fault interrupter (GFCI) receptacle)

**LIGATURE-RESISTANT DISCLAIMER

This product is designed to minimize ligature points. While every effort has been made to reduce the possibility of ligature points, this product does not eliminate all risks. Ligature-Resistant products by Willoughby Industries are to be used in conjunction with, not as a replacement for, trained professionals.

Approved For Manufacturing By: _____ Date: _____ Company: _____
 Wall Thickness: _____ Wall Type: _____



visit our website at www.willoughby-ind.com
 5105 West 78th Street • Indianapolis, IN. 46268
 (317) 875-0830 • Fax: (317) 875-0837 • (800) 428-4065



MADE IN THE U.S.A.