



TITLE:

# (CVC) ELECTRONIC CELL VALVE CONTROL- WMS II

DRAWING #:

## 701535

TOLERANCE:

DIMENSIONS ARE +/- 1/4"  
EXCEPT AS NOTED

MATERIAL:

AS NOTED

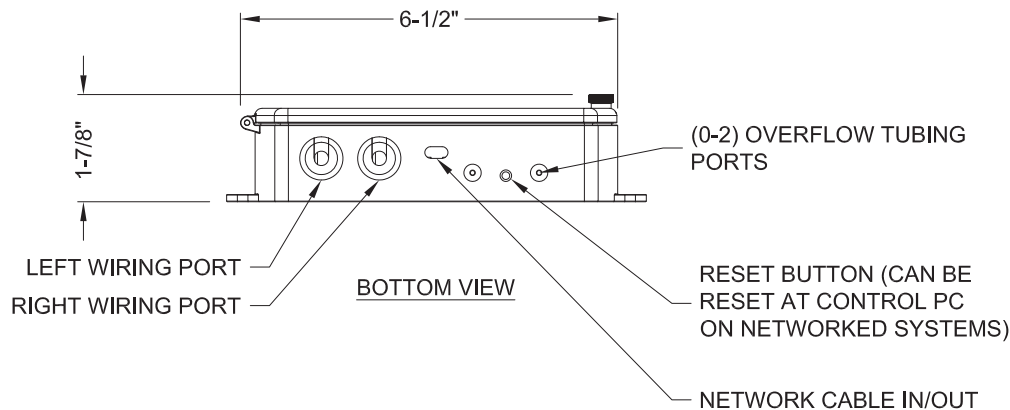
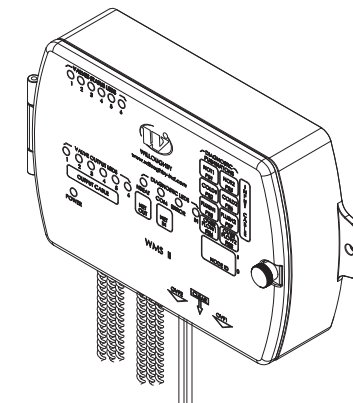
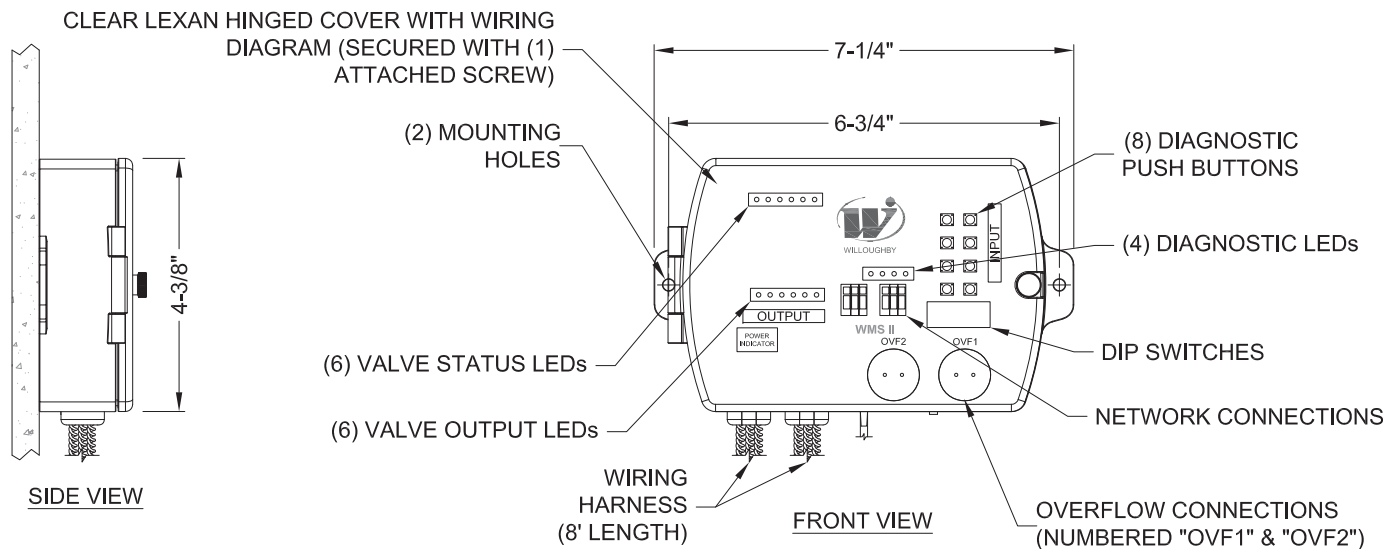
DRAWN BY: NAL

DATE: 7/2/20

REV:

**A**  
12/15/20

STANDARD DWG.



**NOTE:**  
ALLOW 6" MIN. CLEARANCE UNDER EACH (CVC) FOR ACCESS TO RESET BUTTON AND WIRING/TUBING CONNECTIONS

**NOTE:**  
SEE DRAWING P134019A CVC WIRE DIAGRAM