



TITLE:

WMSII NETWORK WIRING DETAILS

DRAWING #:

P134027A

TOLERANCE:

DIMENSIONS ARE +/- 1/4"
EXCEPT AS NOTED

MATERIAL:

N/A

DRAWN BY:

MCL

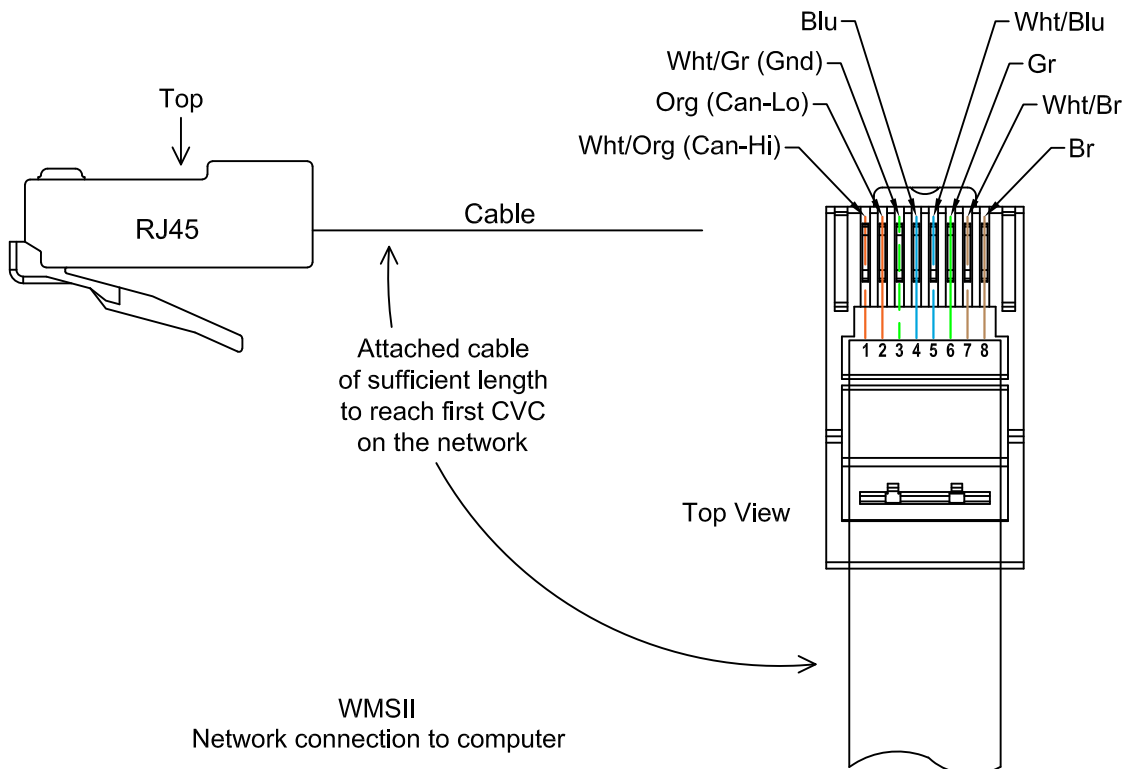
DATE:

8/20/13

REV:

E
3/12/24

STANDARD DWG.



ASSEMBLY INSTRUCTIONS

1. Use twisted pair communication cable w/at least 2 pairs, 24 AWG solid wire, CAT3, CAT5, CAT6 grade or better.
2. Strip jacket 3/8 - 1/2" off end of wire (care should be taken when stripping jacket not to cut the insulation of the other wires)
3. Orient wires in proper sequence and spacing in preparation for insertion into connector (Refer to dwg. showing wires installed, Smooth-Jawed pliers can assist in arranging wires into a flat plane)
4. Trim all 3 wires 0.25"-0.28" from end of jacket
5. Insert wire into 8-conductor modular connector (AMP part # 5-557315-2,) Place:
 - into pin # 1 wht/org
 - into pin # 2 org
 - into pin # 3 wht/gr
 (Insure all 3 wires reach the end of the wire channels or past crimp contact in the connector) (Insure the end of the cable jacket extends past the point of the jacket crimp latch of the connector)
6. Test each cable assembly
 - All wires shall be tested for continuity from end to end on all 3 terminals
 - All wires shall be tested for shorts between wires
 - No single cable assembly shall exceed .02567 ohms per foot + 4 ohms.
 - Test each wire to Earth grnd of electrical system (Should read open)
7. Test each completed network line from the PC to the last control
 - No single network line shall exceed .02567 ohms per foot + 2 ohms for each CVC (control) on the line.

- No single network line shall exceed 3,000 feet.

Note: All connections between buildings shall be made using optical transceivers with optical cable.

Any optical connections shall be placed between the PC and the first valve controller of any serial string of controllers.

Note: Earth grounding typically should not occur in WMS wiring, but if it does due to pinched wiring or damaged insulation during installation, it can make an entire network non-functional. In such cases, the offending network node will need to be identified, and all WMS wiring of the offending node checked to identify which wire is touching an earth ground. For assistance, please contact the factory.